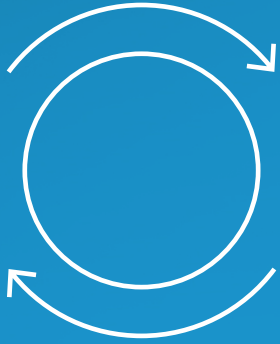


NANOVEA CR-8R

***ADVANCED COATING
THICKNESS TESTER***





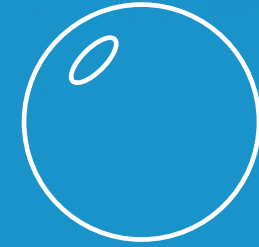
SHAFT SPEED

50-4000 rpm



TIME RANGE

1-10800 sec

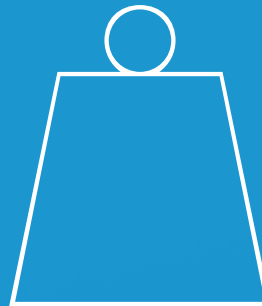


BALL

10 - 38.1 mm

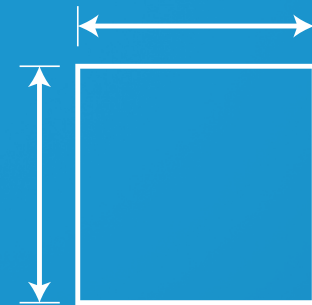


TOUCH SCREEN



WEIGHT

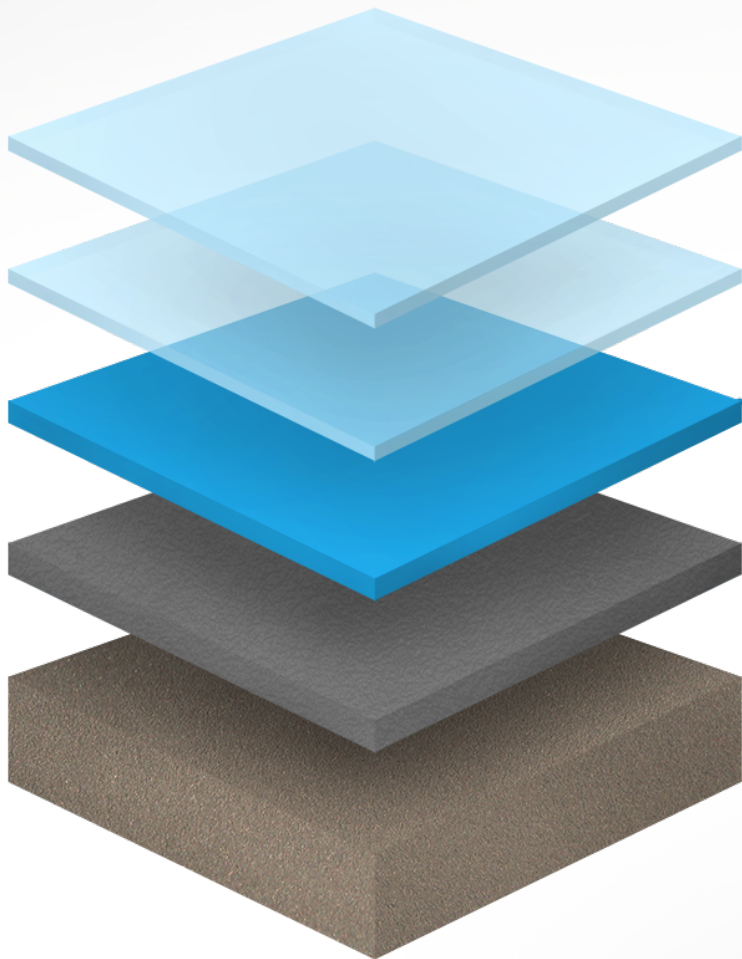
15 kg



DIMENSIONS

460 x 355 x 135 mm

SIMPLE. PORTABLE. PRECISE



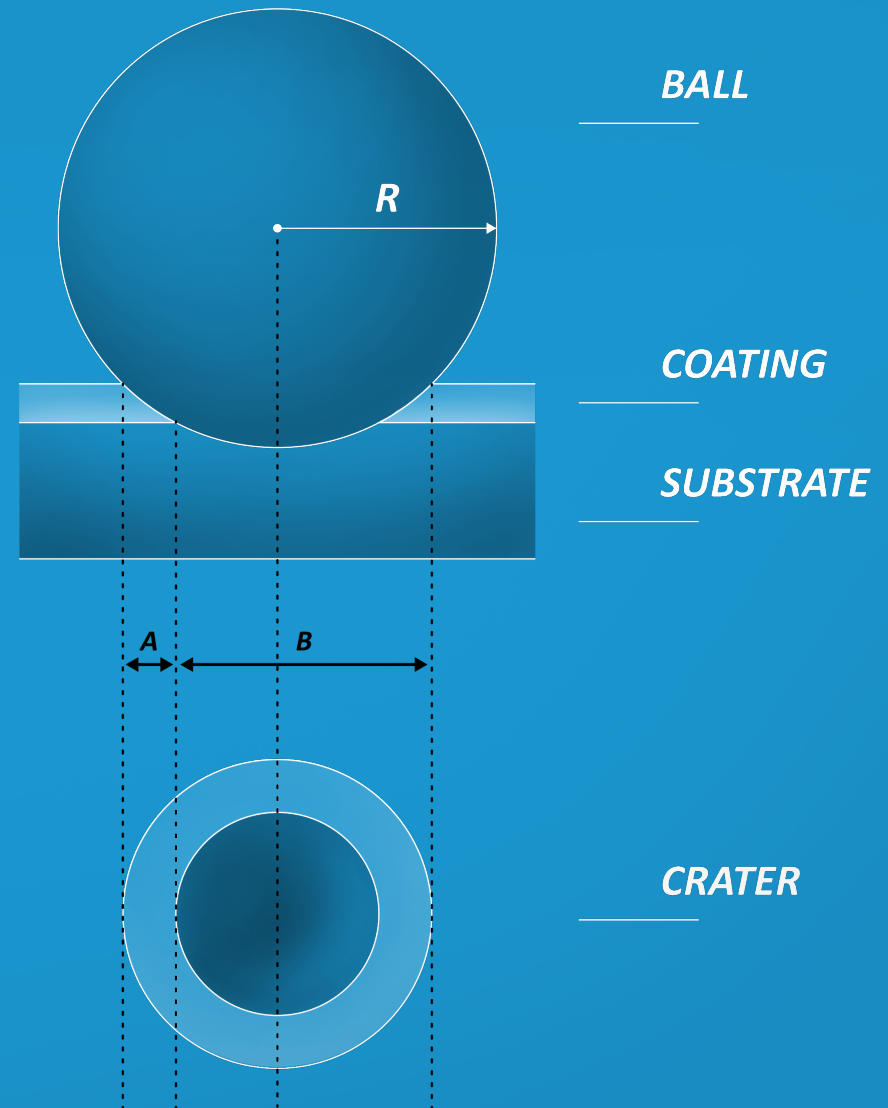
PERFECT FOR:

- ▶ ***PVD & CVD***
- ▶ ***Paints & Lacquers***
- ▶ ***Plasma Spray Coatings***
- ▶ ***Anodic Oxidation Layers***
- ▶ ***Galvanic & Chemical Deposits***

COATING THICKNESS CALCULATION

$$\text{COATING THICKNESS} = \frac{A * B}{2R}$$

Advanced ball cratering thickness tester to measure coatings of 0.1 to 50 microns.



STANDARD ISO 26423