

# Manual Vision Measuring Machine

## E Series





广东谨诺科技有限公司

GUANGDONG JINUOSH TECHNOLOGY CO.,LTD

# COMPANY PROFILES



Guangdong Jinuosh Technology Co., Ltd. is a high-tech enterprise engaged in the research and development, production and sales of video measuring machine, flashing measuring machine, measuring microscope and other testing equipment, with a technical team and management team specializing in the development of advanced products and process research.

Always follow: "customer first, quality first, perfect" quality policy, whole-heartedly for domestic and foreign customers to provide beautiful shape, excellent performance, reasonable price, user satisfaction's testing equipment products, the products are mainly exported, our company has won the trust and praise of many customers by providing all-round assistance, high quality and sincere service. The company has gradually established the leading position in the testing instrument industry in China. In the domestic and international markets to establish a good brand, with its strong strength and good reputation in the industry, to become the world's top brands of excellent partners.

# E Series

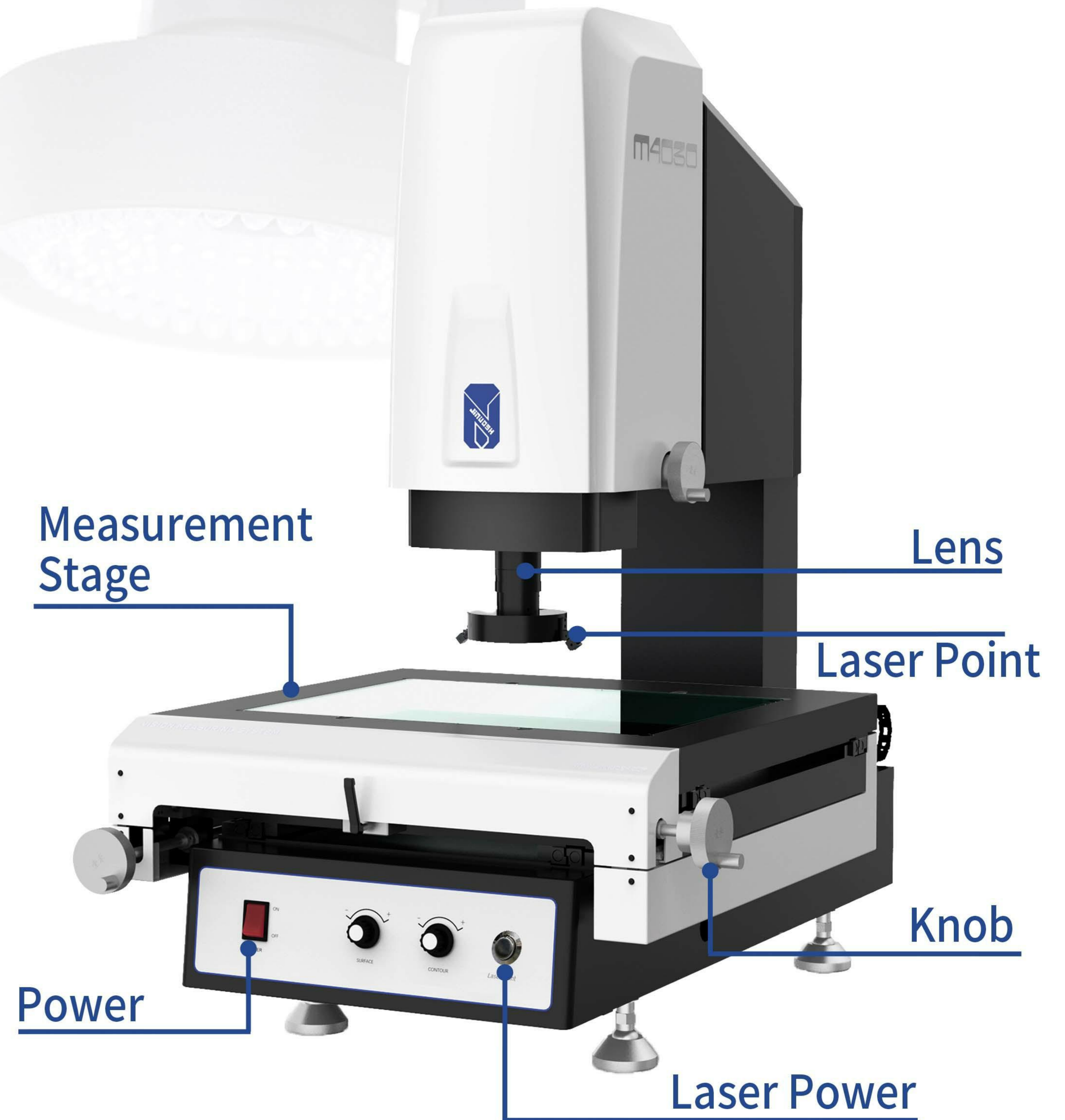
E series with high reliability and good dynamic performance .It is dimensions measurement has met the demands of rigorous quality control departments in numerous industrial fields.

Applicable to all the application fields for the purpose of two-dimensional coordinate measurement. Easy to operate and save time.Such as mobile phone, tablet computer, LED,PCB, plastic, metal stamping parts, injection molding, die cutting, electronic industry and other products of geometric size detection.

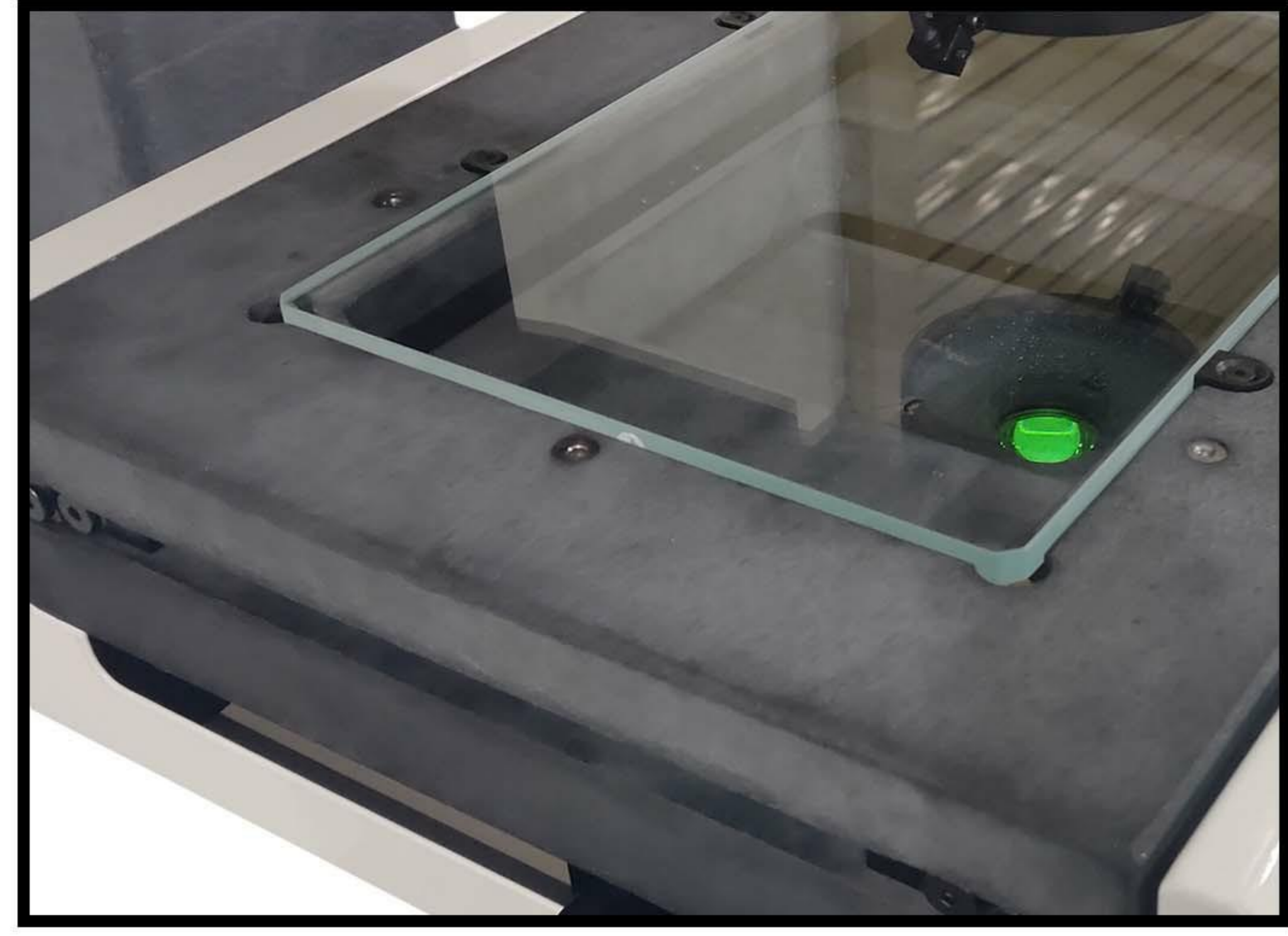
## Features

- Green bottom light source will makes the imaging effect clearer.
- Can find the specific position of the measured workpiece through the laser pointer, can adapt to the complex workpiece measurement.
- High resolution HD color camera.
- Can add Z-axis auto focus, realize the powerful function of semi-automata on manual machine.
- There are many ways to establish the coordinate system, the coordinate system translation, rotation is very convenient.
- High precision granite base, column, to ensure high stability and rigidity.
- Imaging instrument measuring instrument software, powerful, simple measurement.

## Structure



# Hardware



## Stable Platform

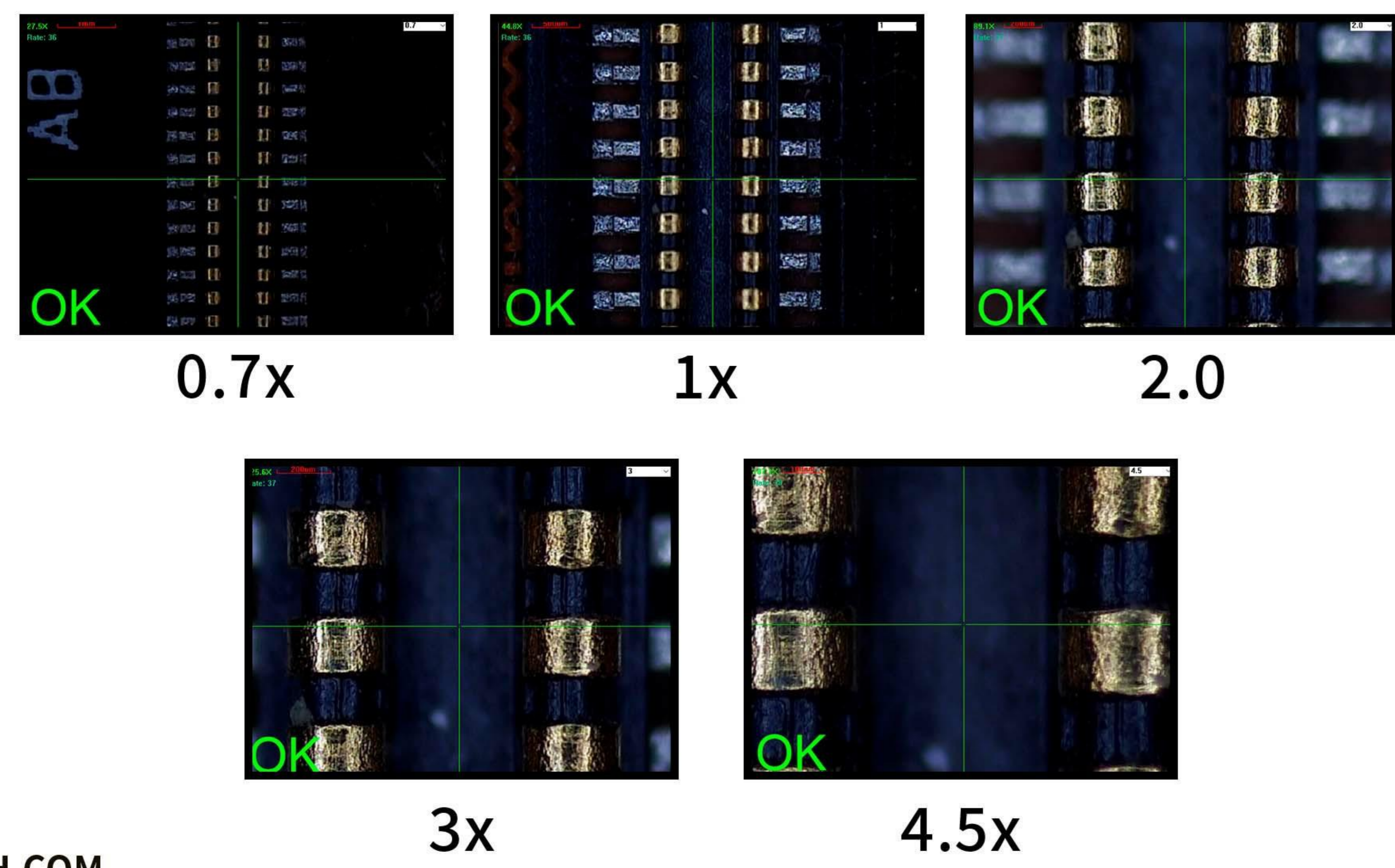
Max loading weight is 20KG, Z axis stroke 200mm(or customized), Use high precision natural granite to ensure the stable operation of the equipment, and has good temperature stability, not easy to deformation.

## Wide ranging zoom optics streamline dimensional measurements

Equipped with five zoom positions that do not require calibration when magnification is changed.(Total have 9 positions).

Efficient program creation and dimensional measurement are achieved as magnification can be changed at high speed,whilst maintaining highly accurate measurement.

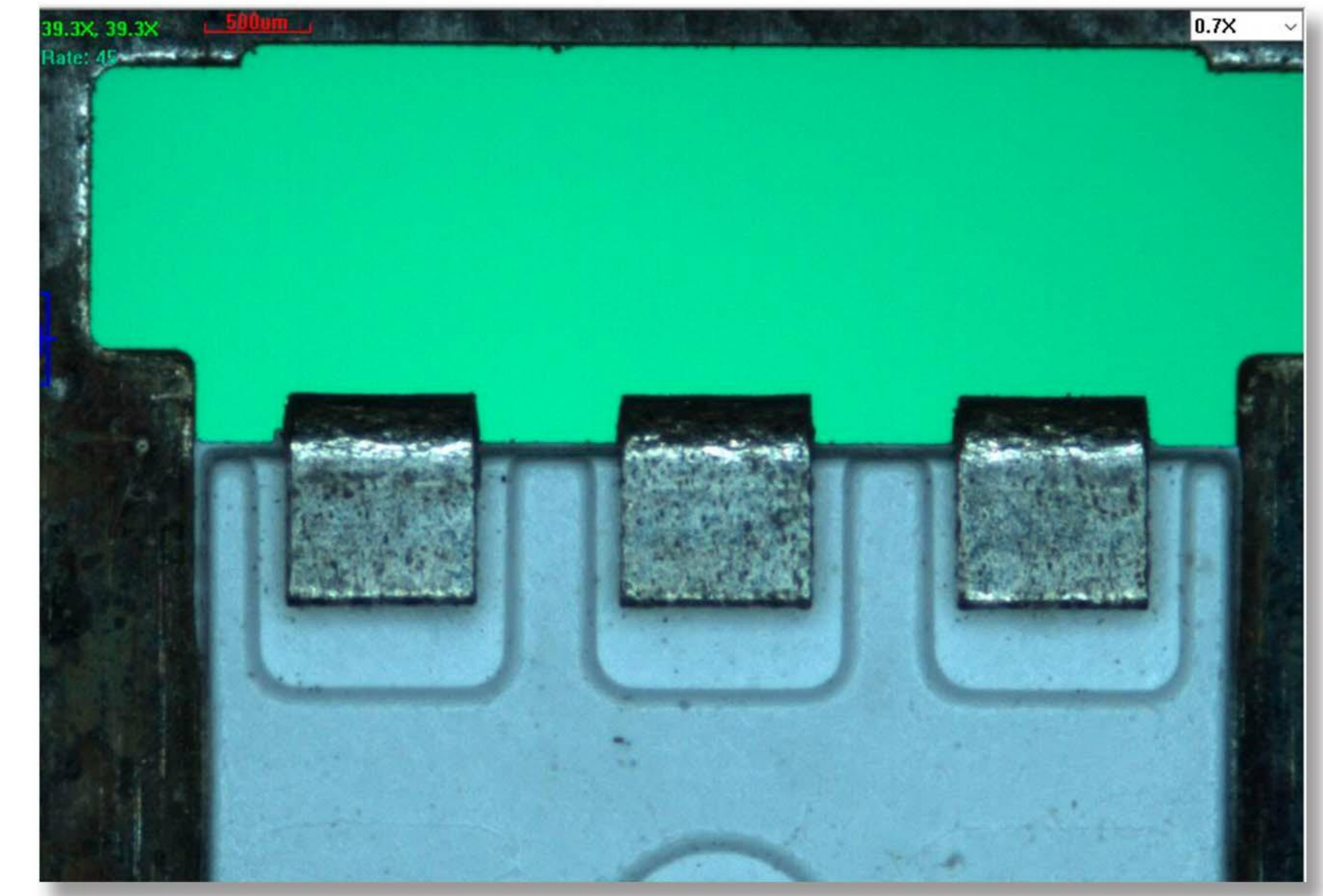
So more convenient to test precision sample' s size.



## Optical System

Manual operation measurement, the lens and light source position can be adjusted up and down, easy to operate.

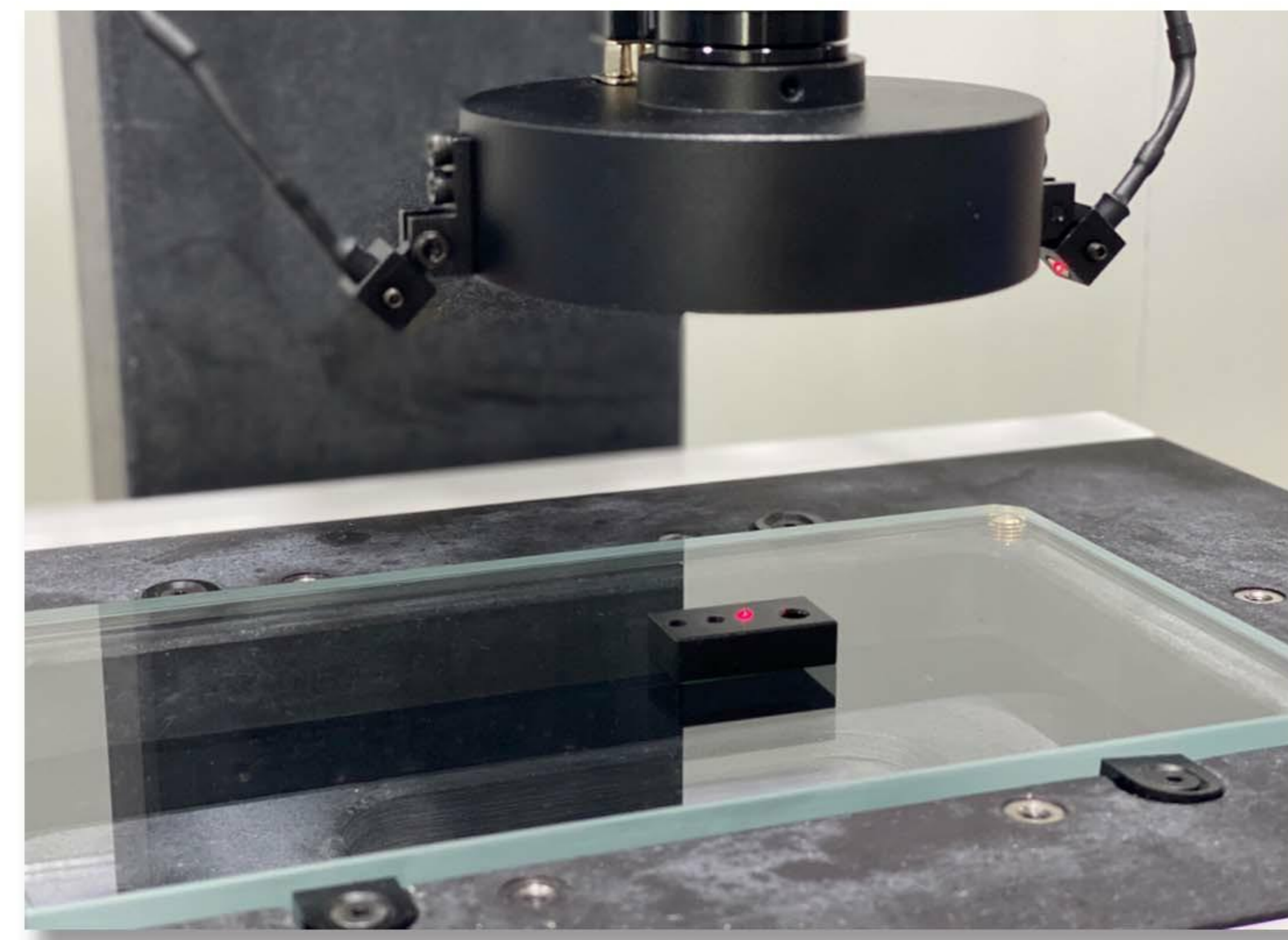
LED cold light source to avoid heat deformation of the work piece under test. Various forms of light source, ensure to meet the diversity of measurement requirements, software assisted dimming, so that users know whether the light is over-saturated.



## Laser Point

Quickly and accurately help you find the measurement position

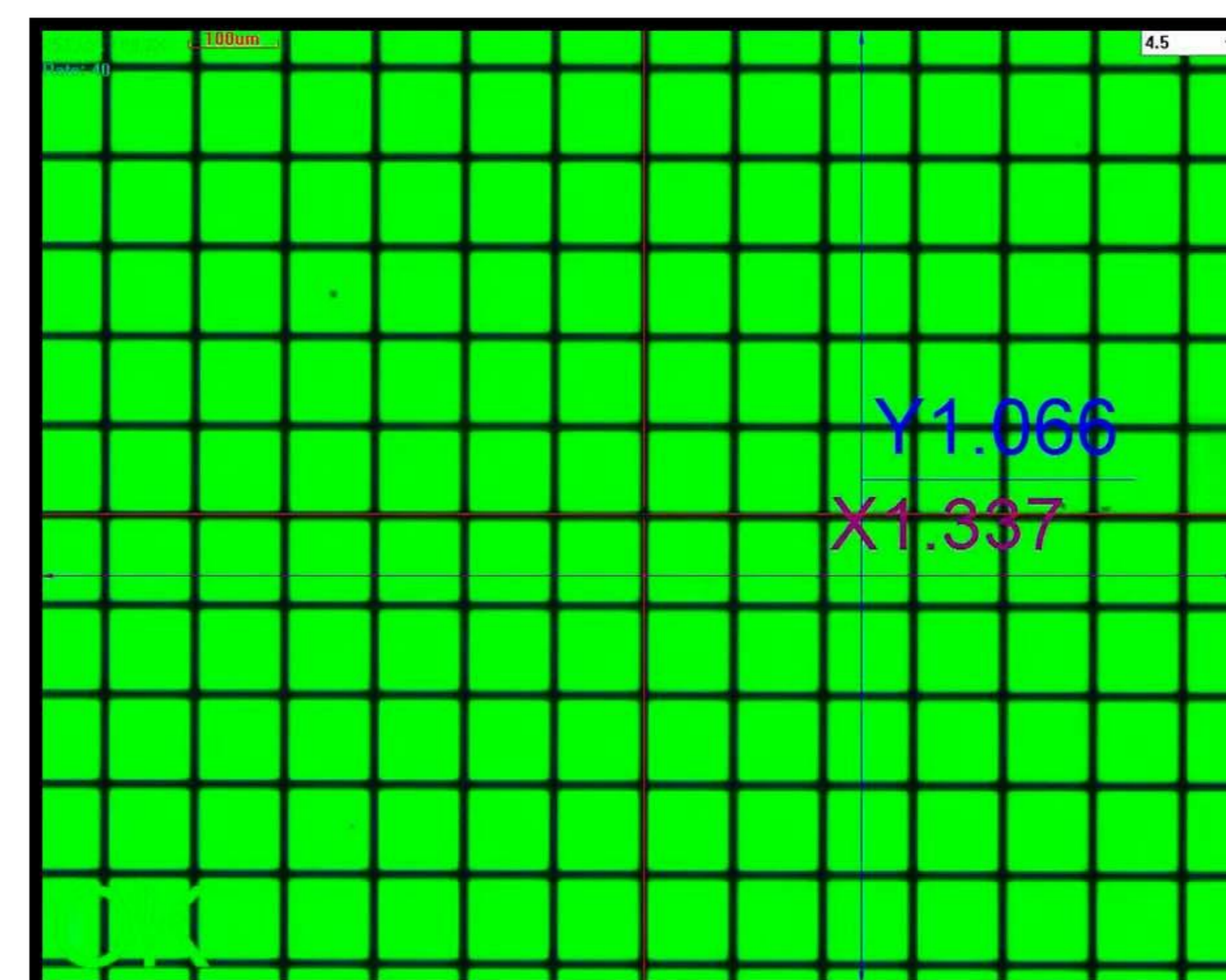
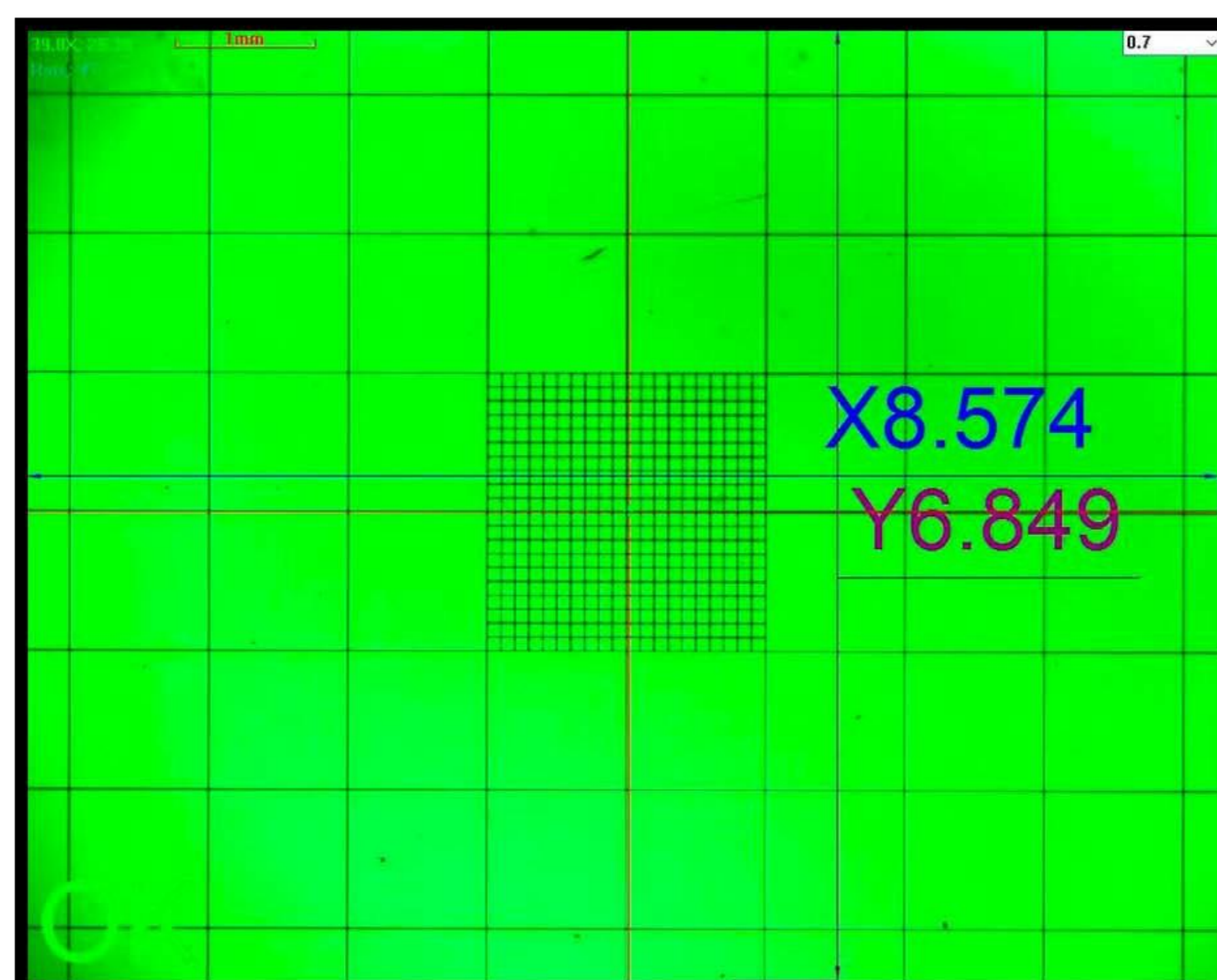
Achieve fast focus



## Camera

Camera: 1/2 "GIGE Color Camera,1.3MP

Vision range is more Bigger



## Controller

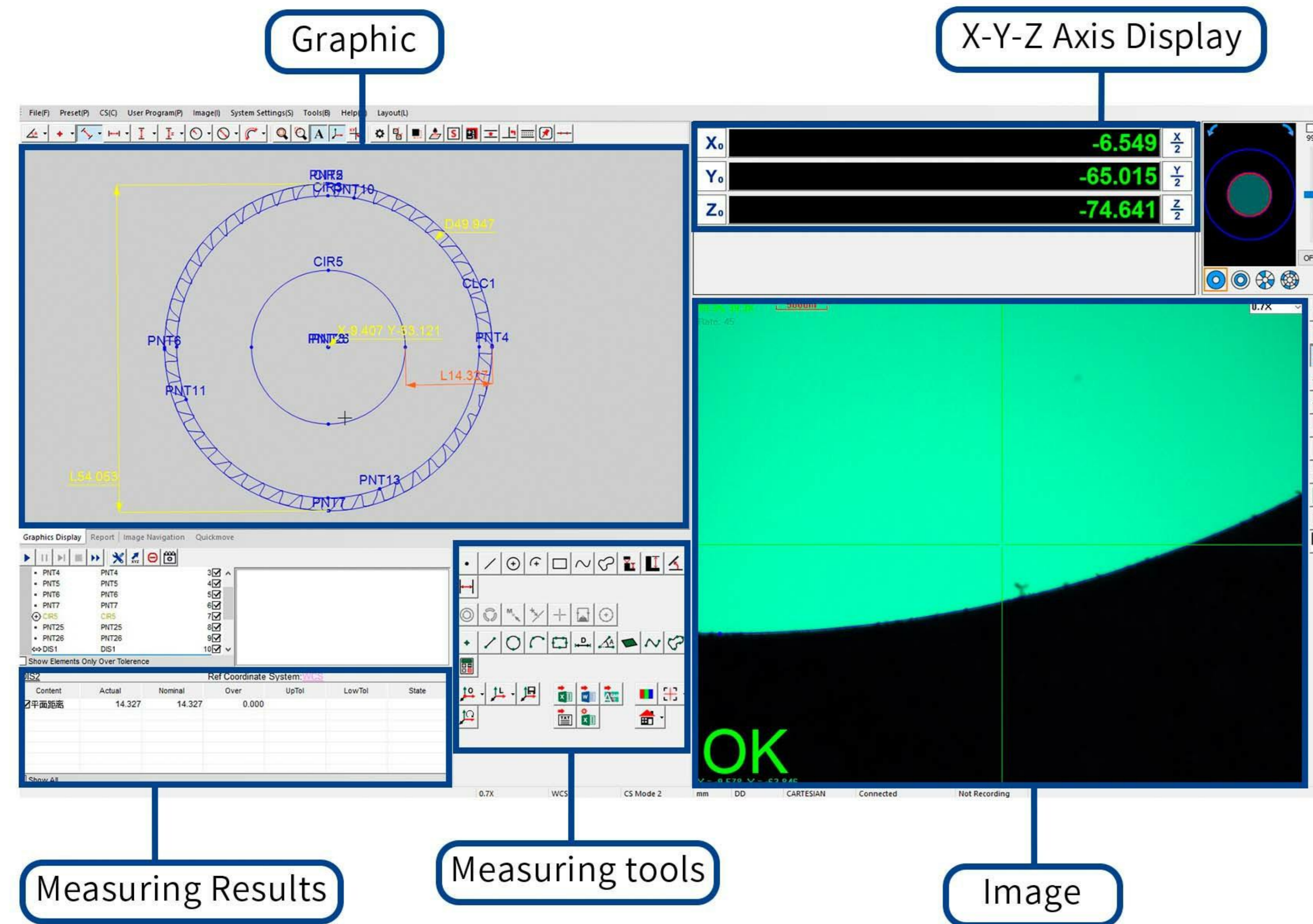
Three axis orthographic square wave optical ruler counting, probe trigger latch optical ruler position, with buzzer function, support manual knob to adjust the brightness of light source, optional USB or network communication.



X <sub>0</sub>	-6.549	X/2
Y <sub>0</sub>	-65.015	Y/2
Z <sub>0</sub>	-74.641	Z/2

# Software

Simple measurement interface, greatly reduce the difficulty of the operator

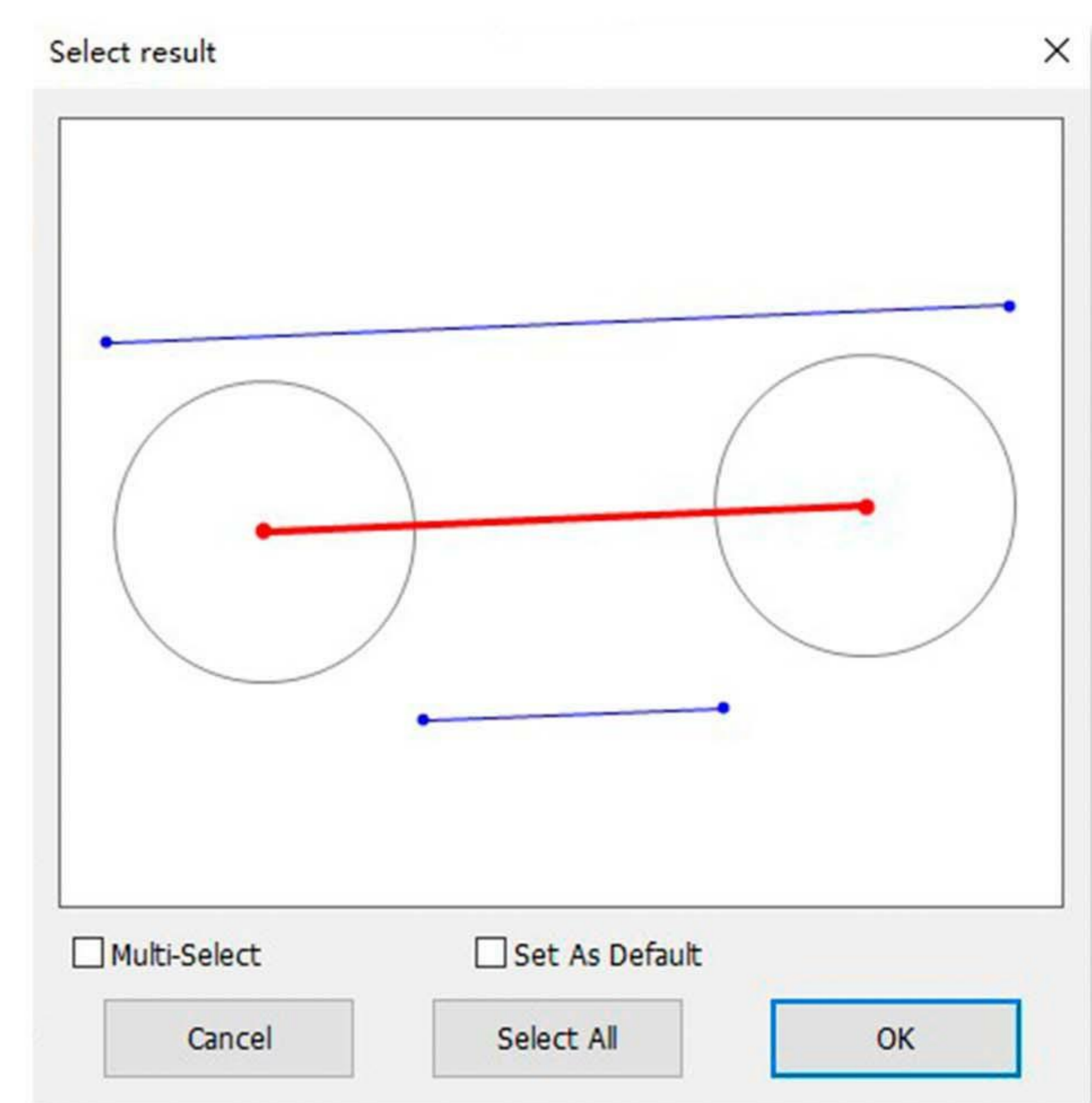
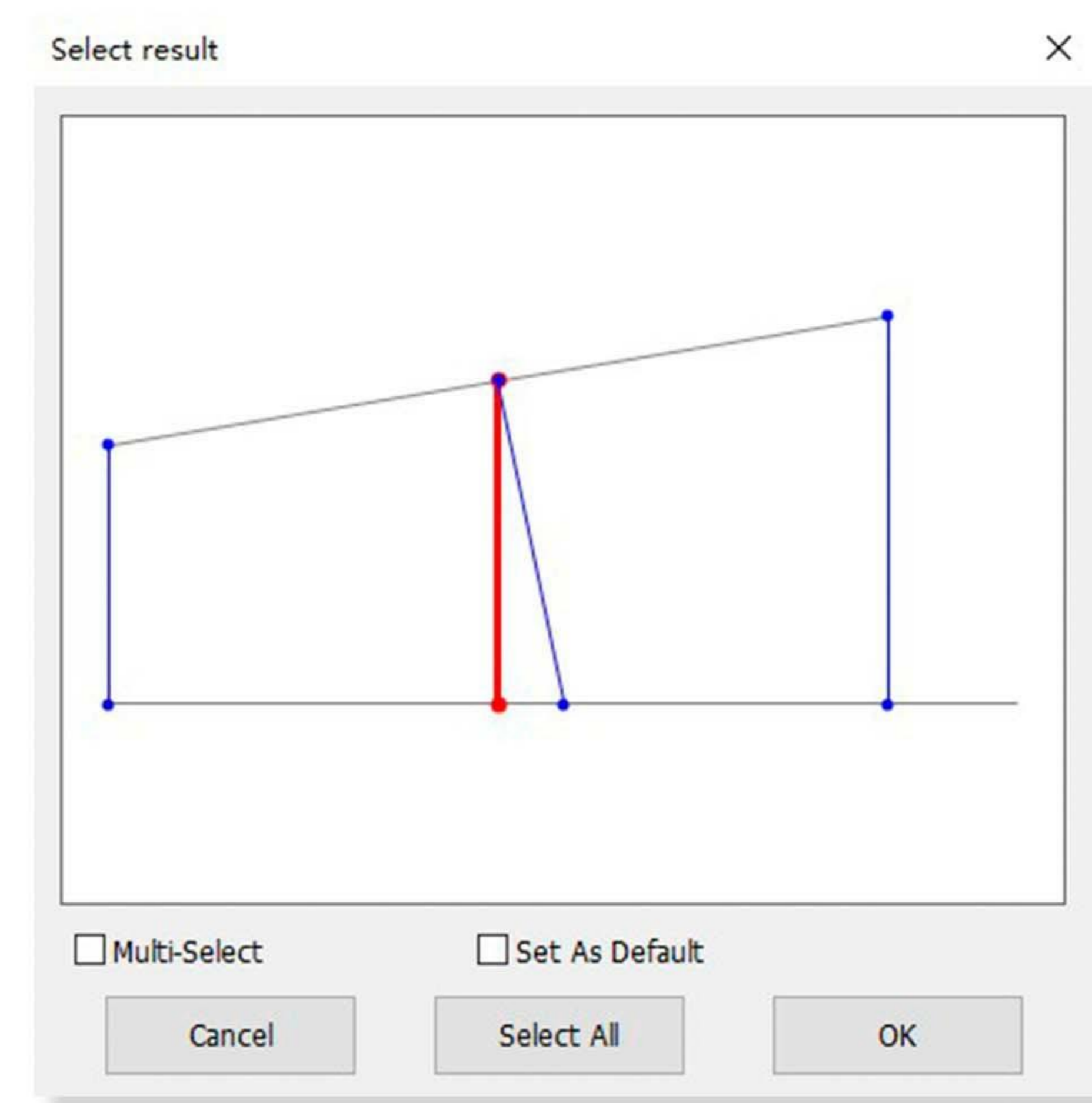
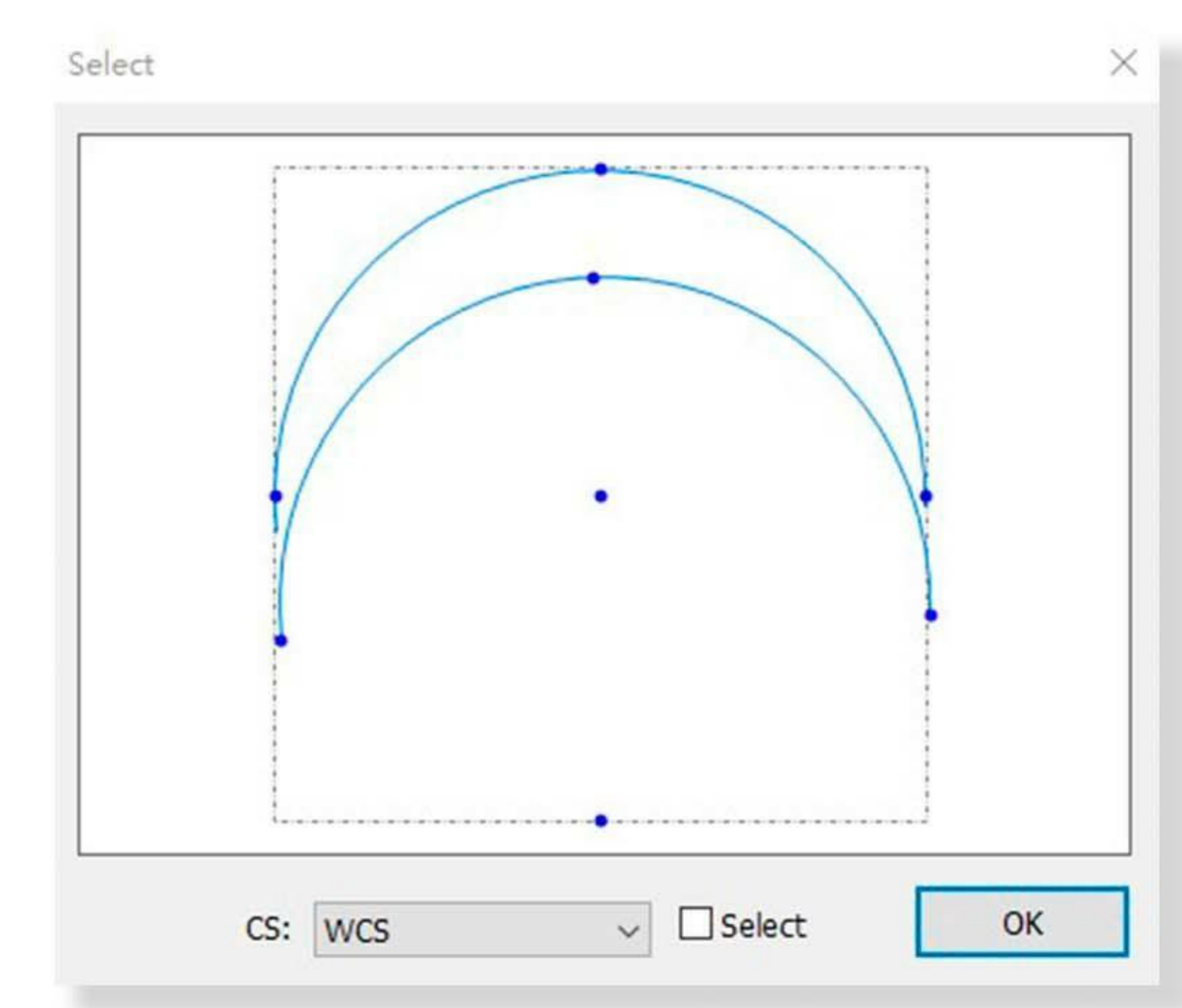
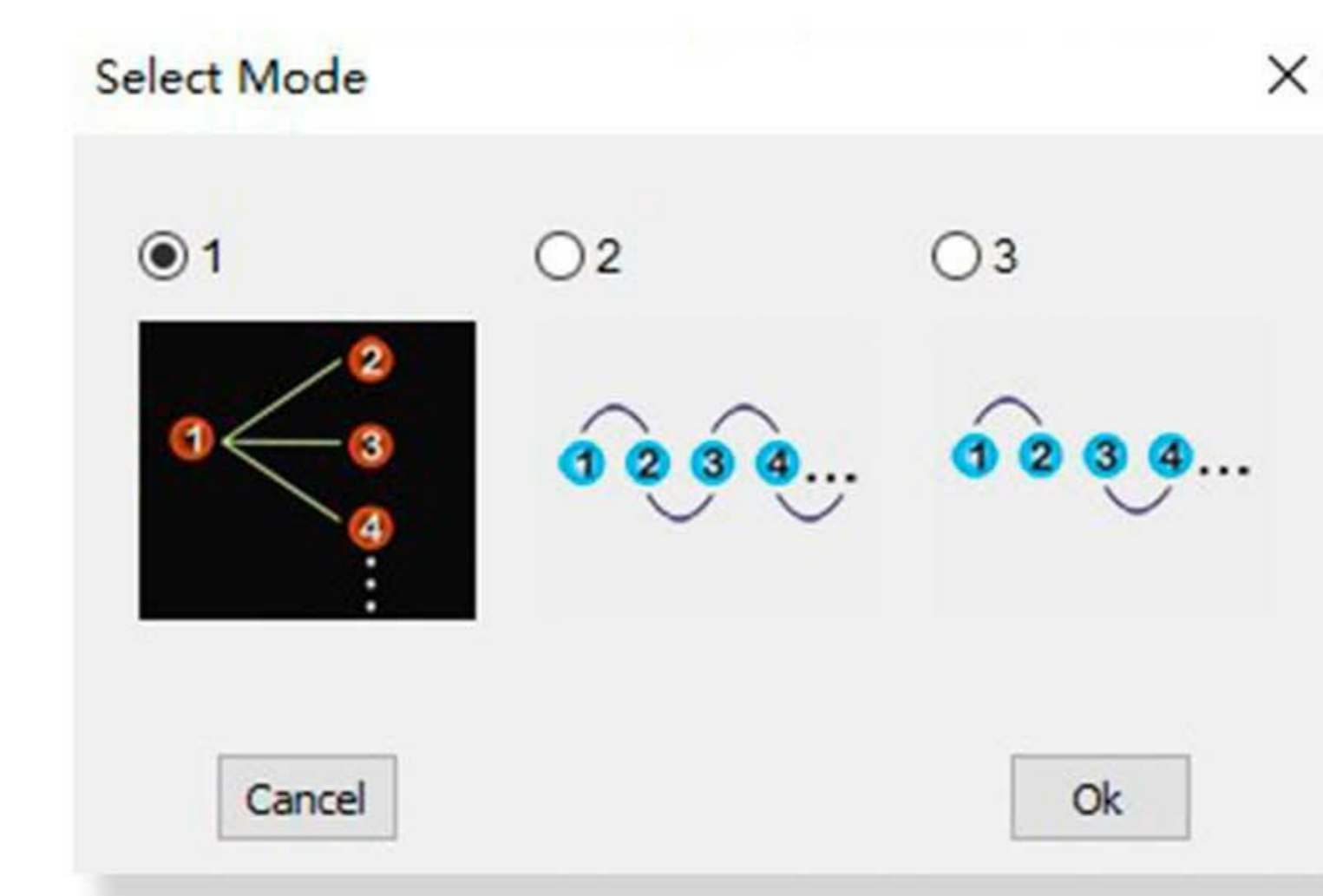
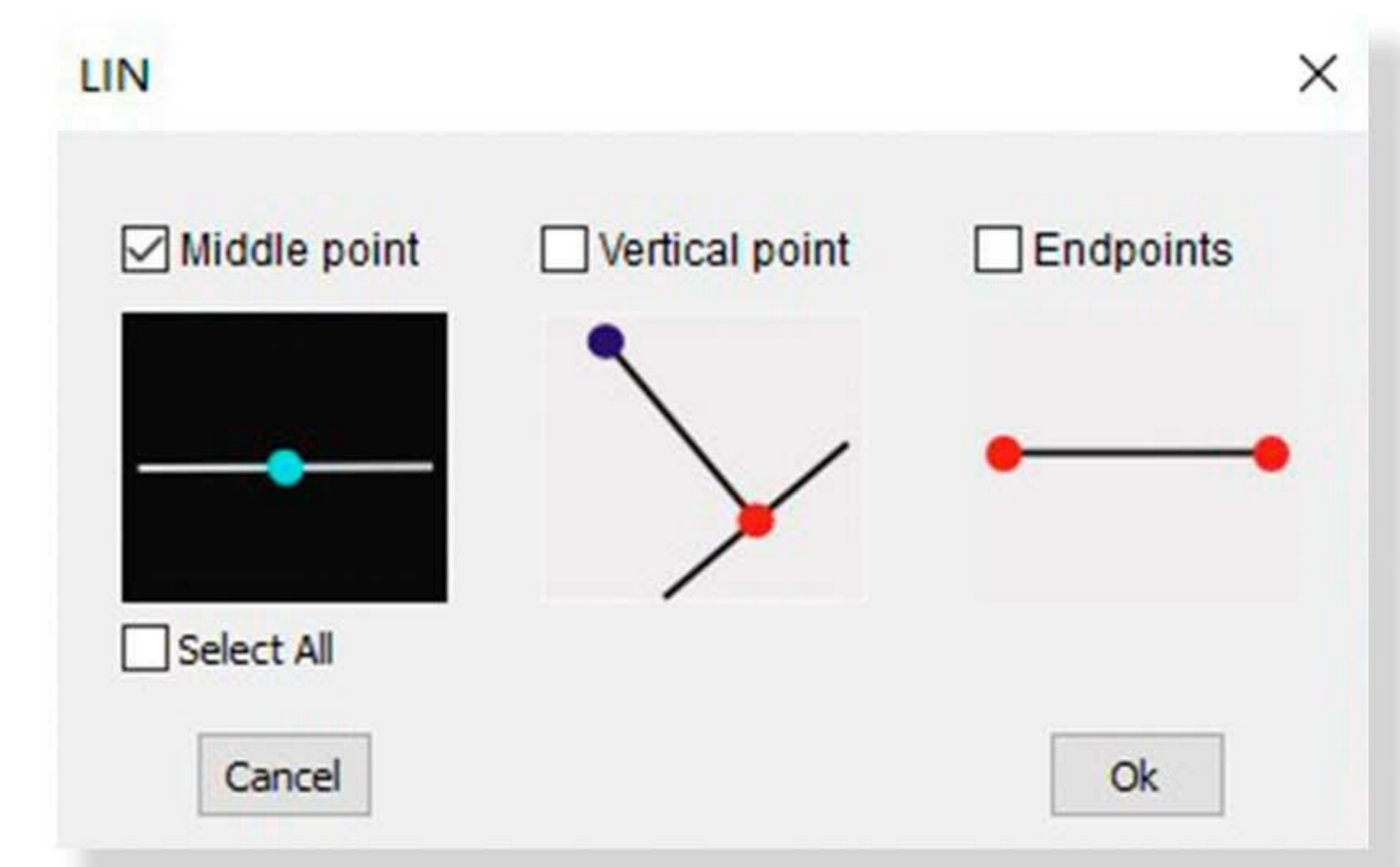
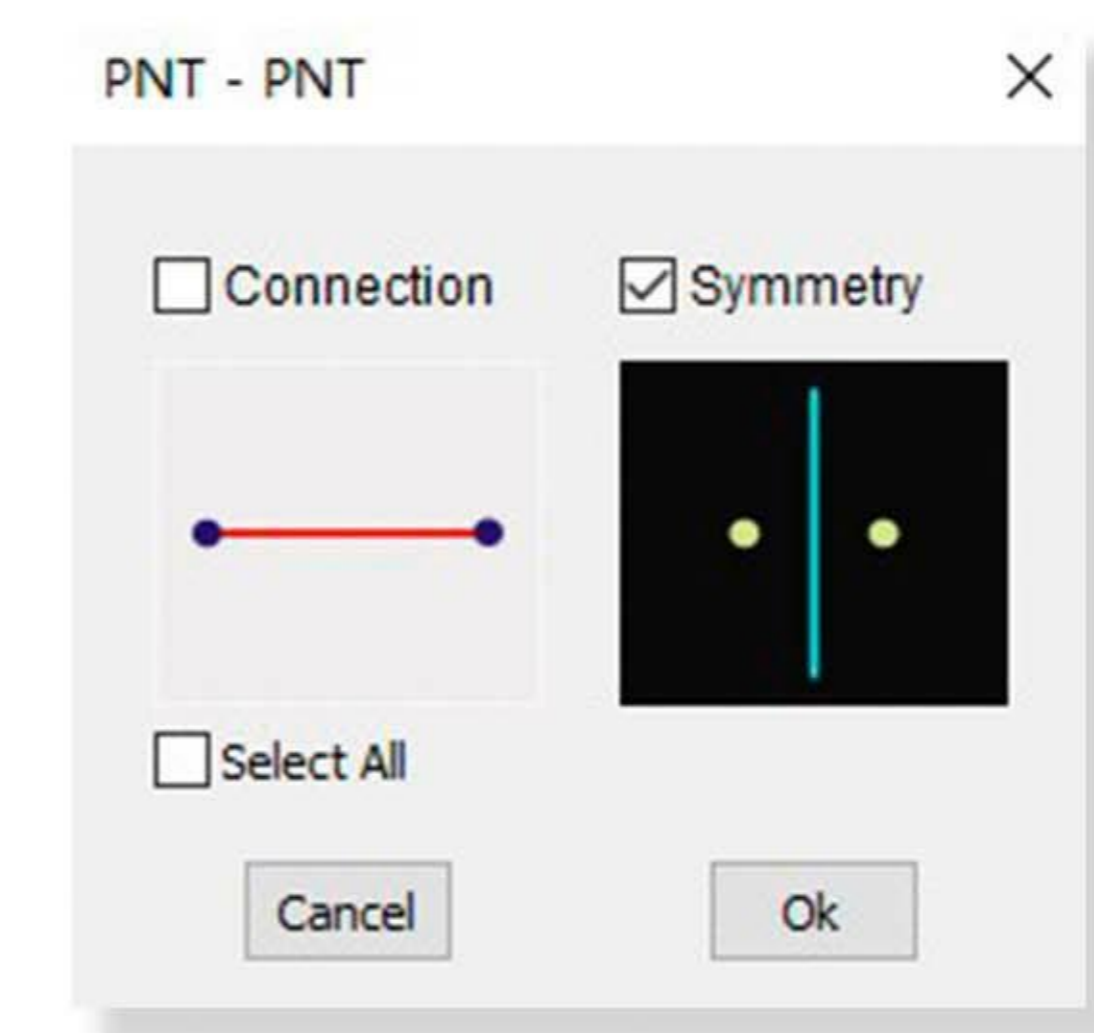


**Measurable geometry:** point, line, circle (maximum, minimum and average), arc, spline curve, ellipse, rectangle, quadrilateral, slot, R-angle, ring, spacing, Distance, point group, etc.

**Constructed:** center point, extreme point, end point, intersection point, two points line, parallel line, bisector, center line, merge, contour segmentation, radius drawing circle.

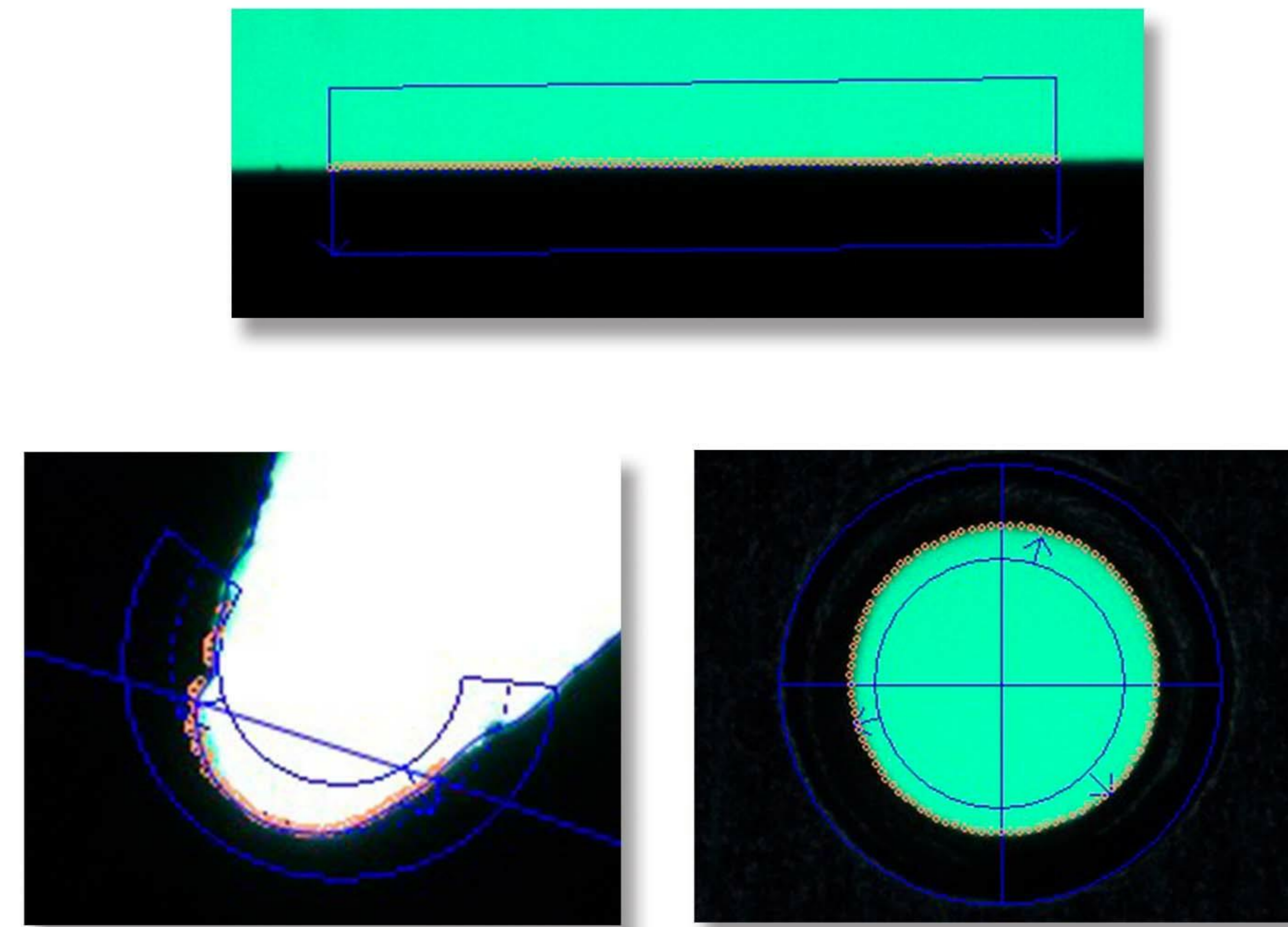
**Shape tolerance:** straightness, roundness, position, parallelism, verticality, incline, concentricity, etc.

**Coordinate system:** fixture positioning coordinate system, point and line, three points, translation, rotation, manual adjustment of coordinate system.



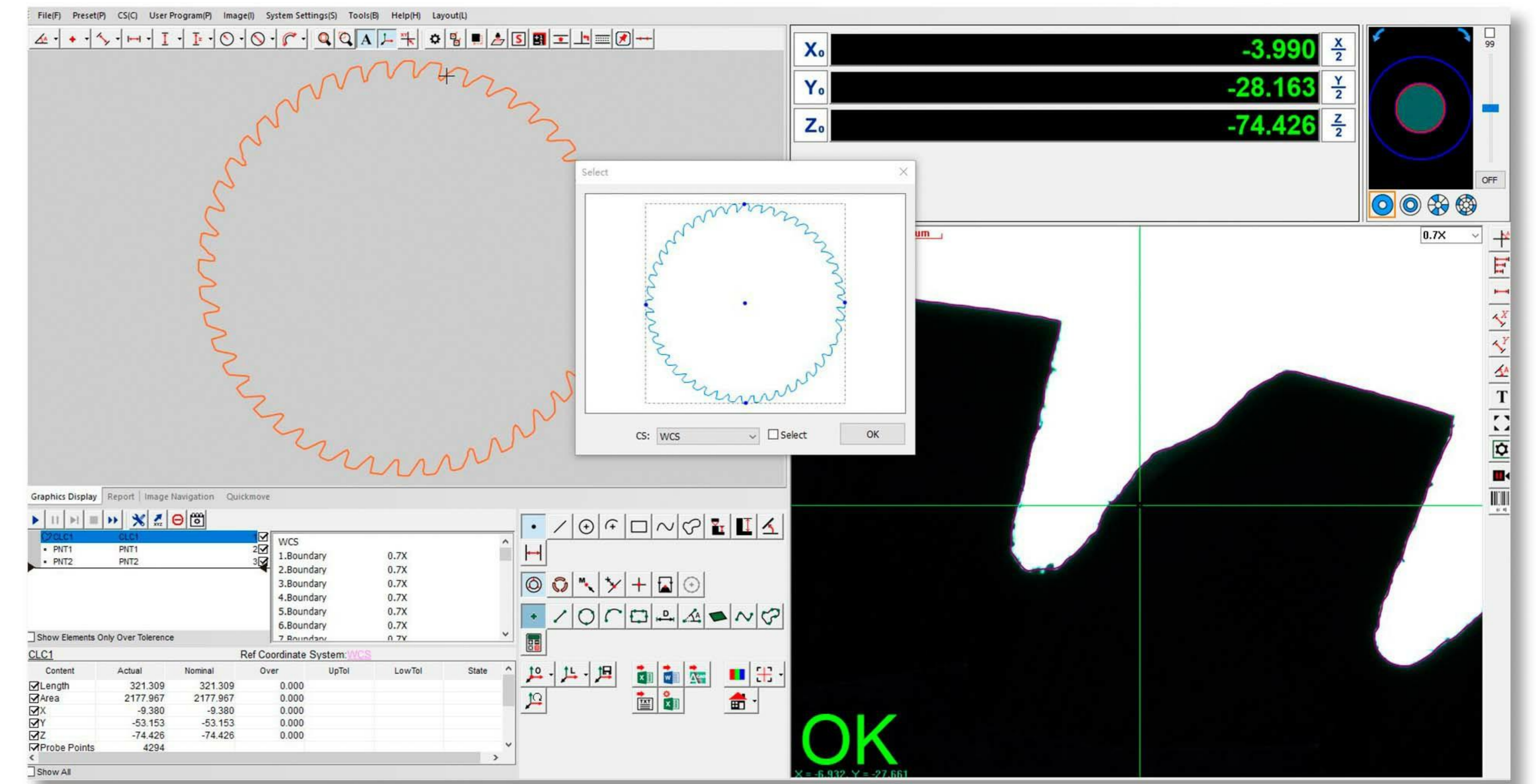
## Intelligent edge

Reduce the error caused by personnel improper operation.



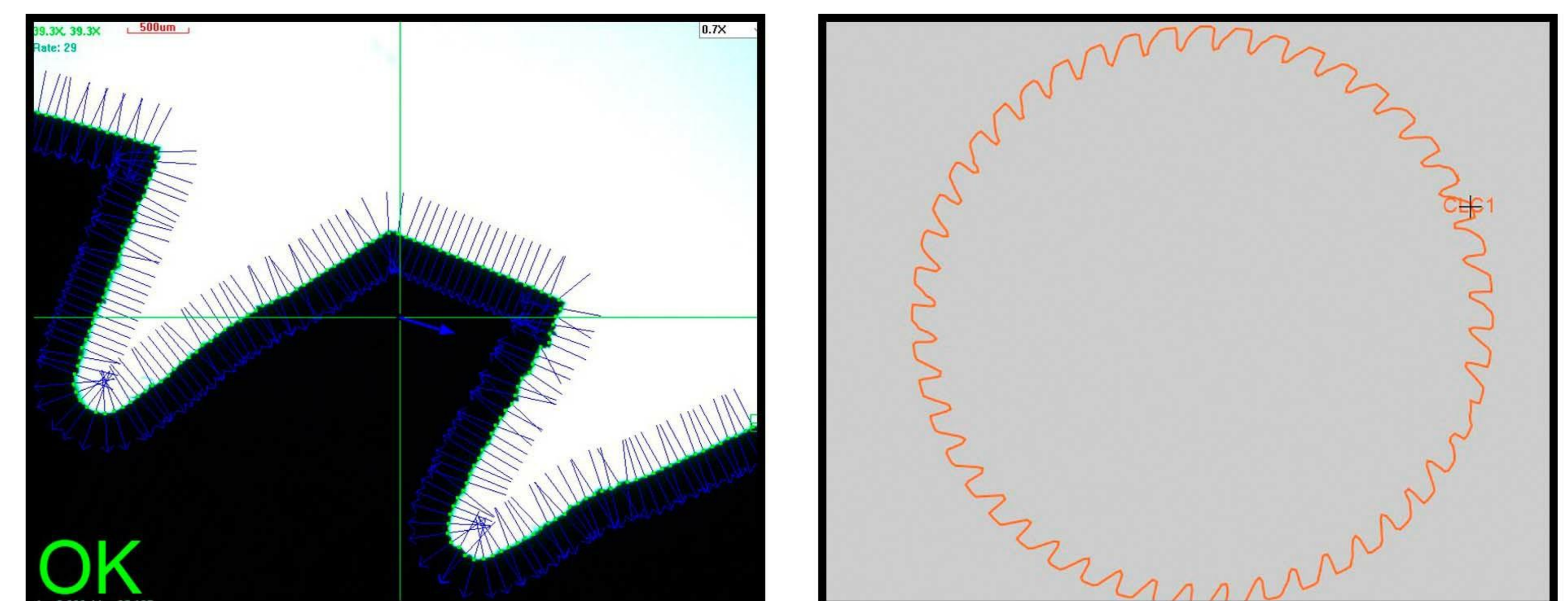
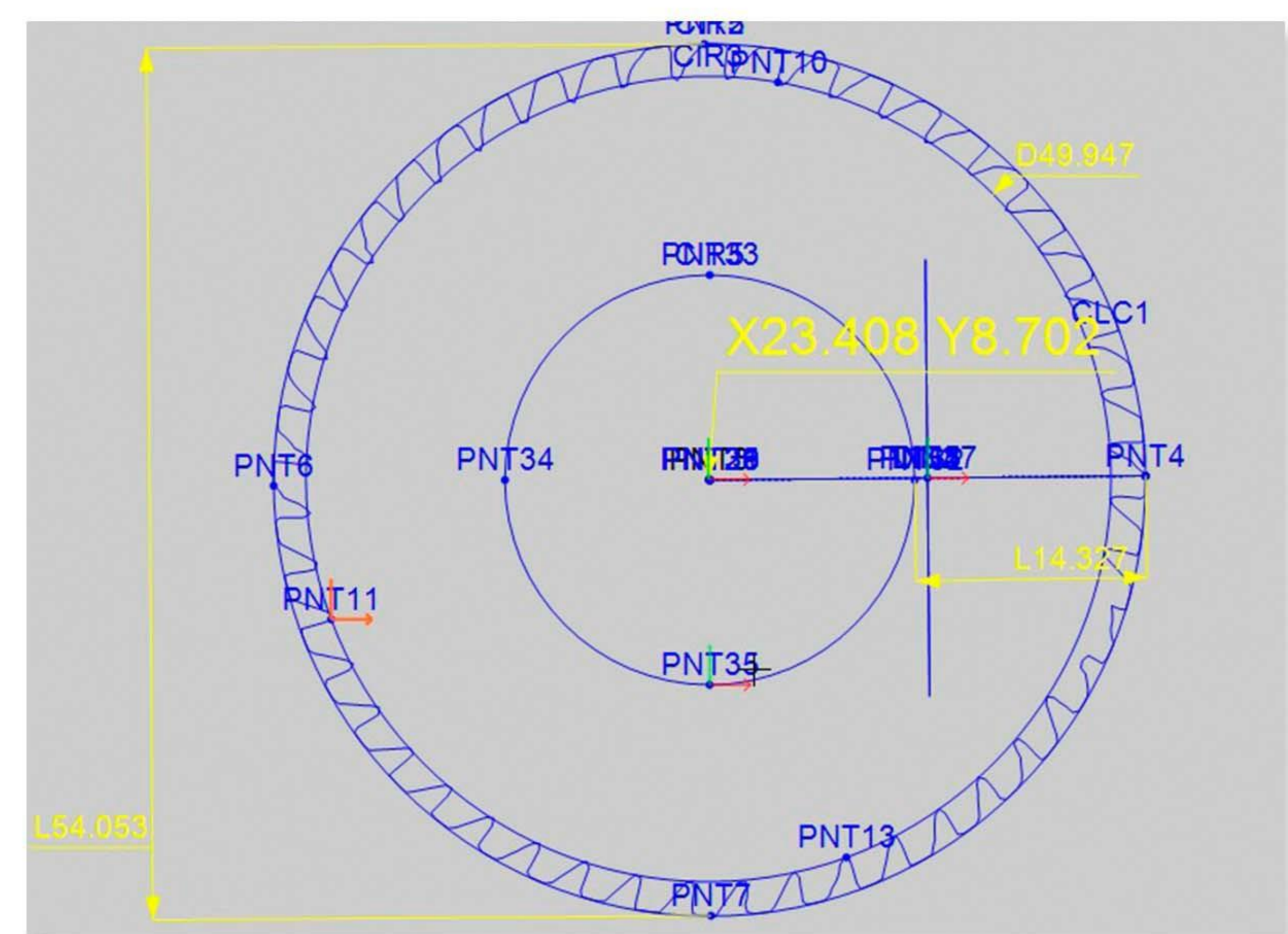
## Scan function

It can scan the irregular contour of the work piece automatically and obtain the 2D figure of the work piece in reverse.



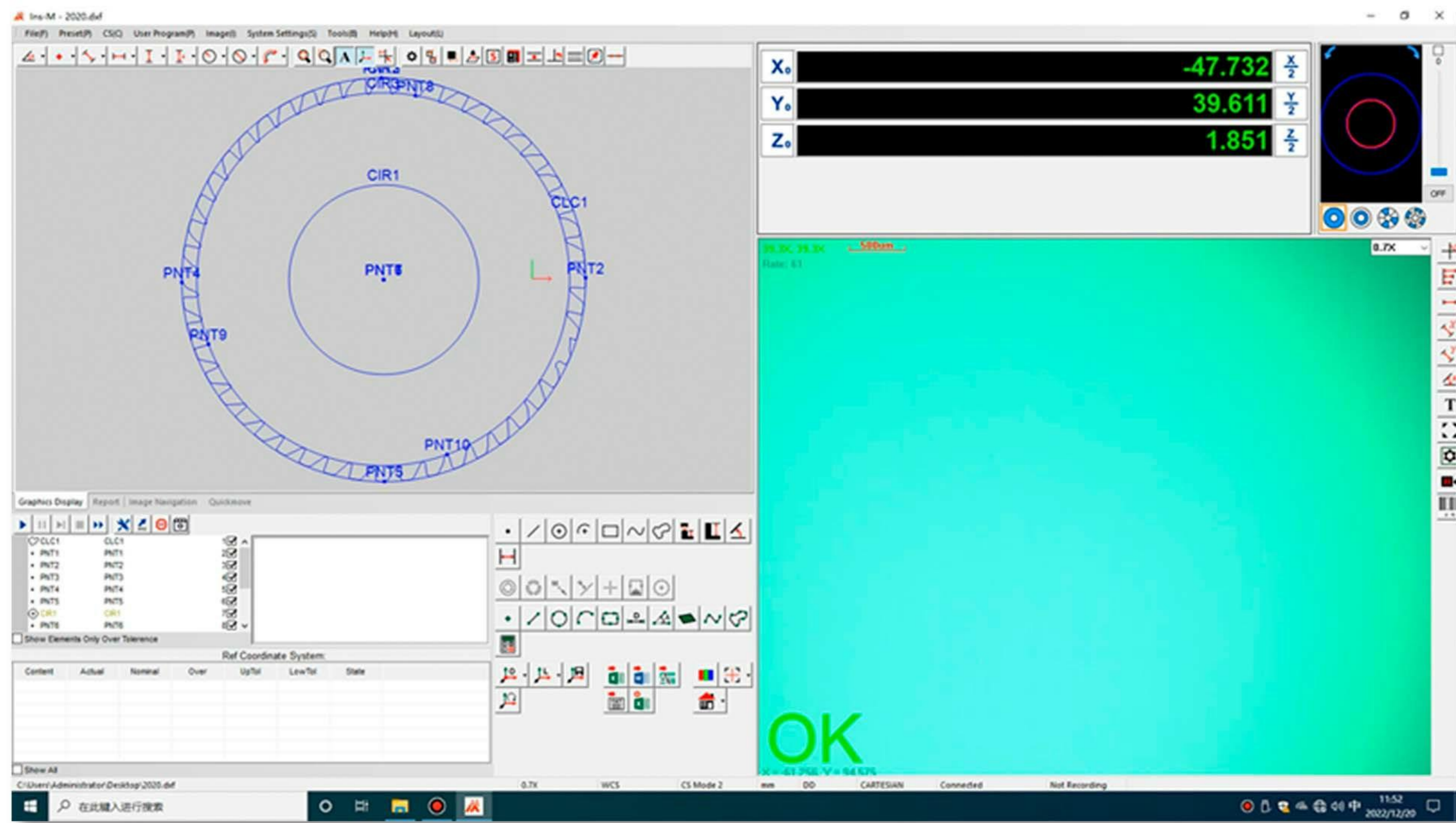
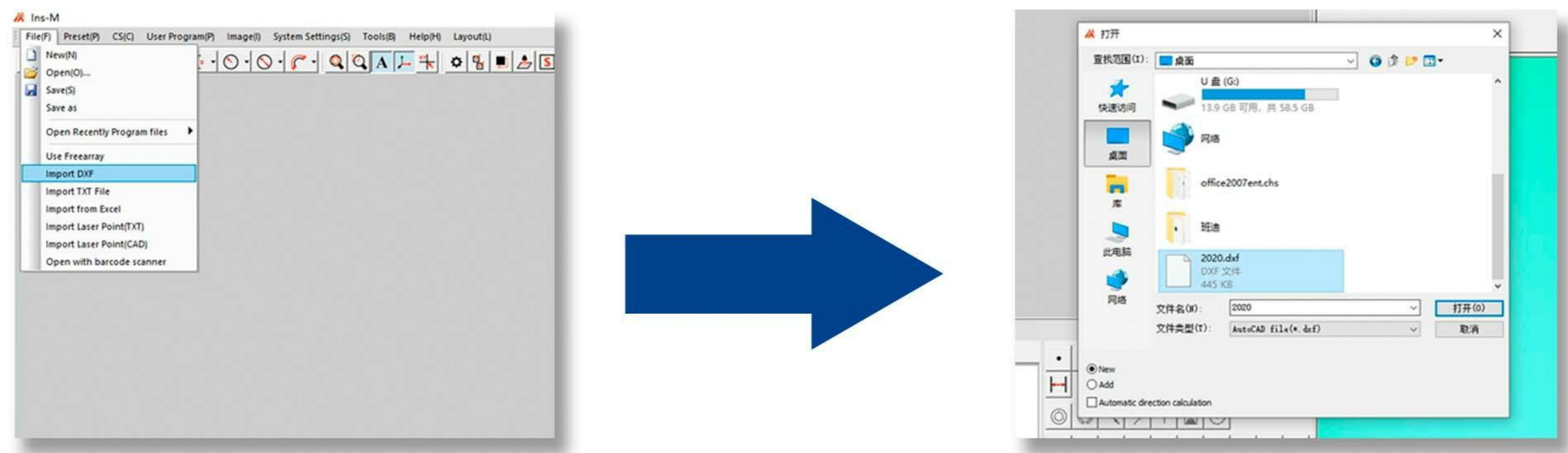
## Multiple coordinates

Can establish multiple coordinate at the same work piece



## Import Cad

Software can import CAD files, can realize the standard drawing file and workpiece comparison function, solve the irregular workpiece size control needs, a variety of data processing, display, input and output functions.

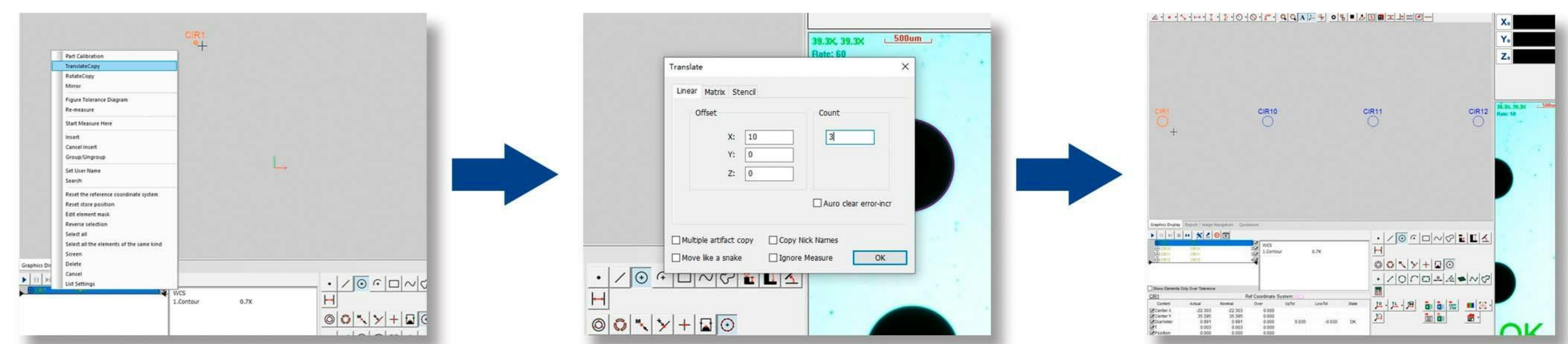


## Coordinate straightening

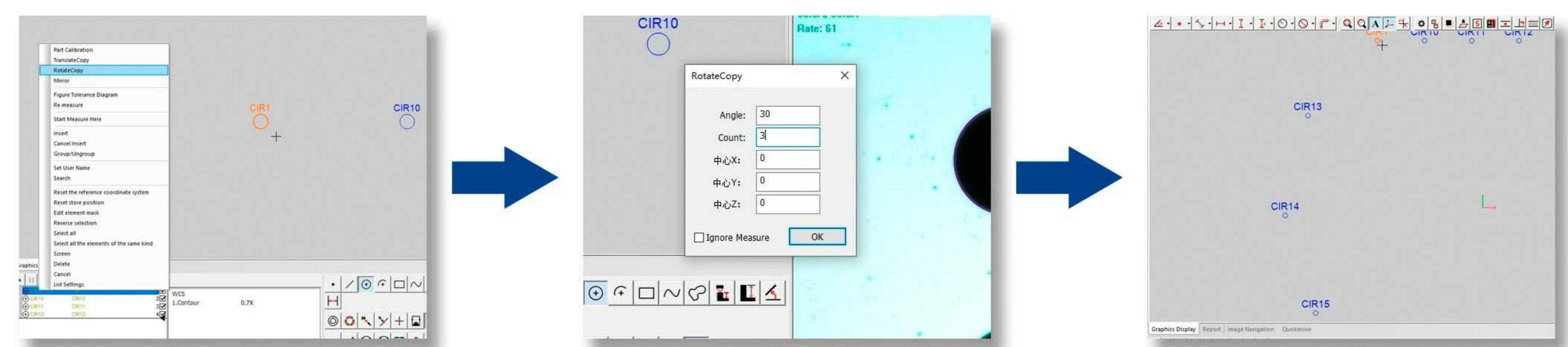
Can make Coordinate alignment even your product not put well.



## Translation



## Rotation

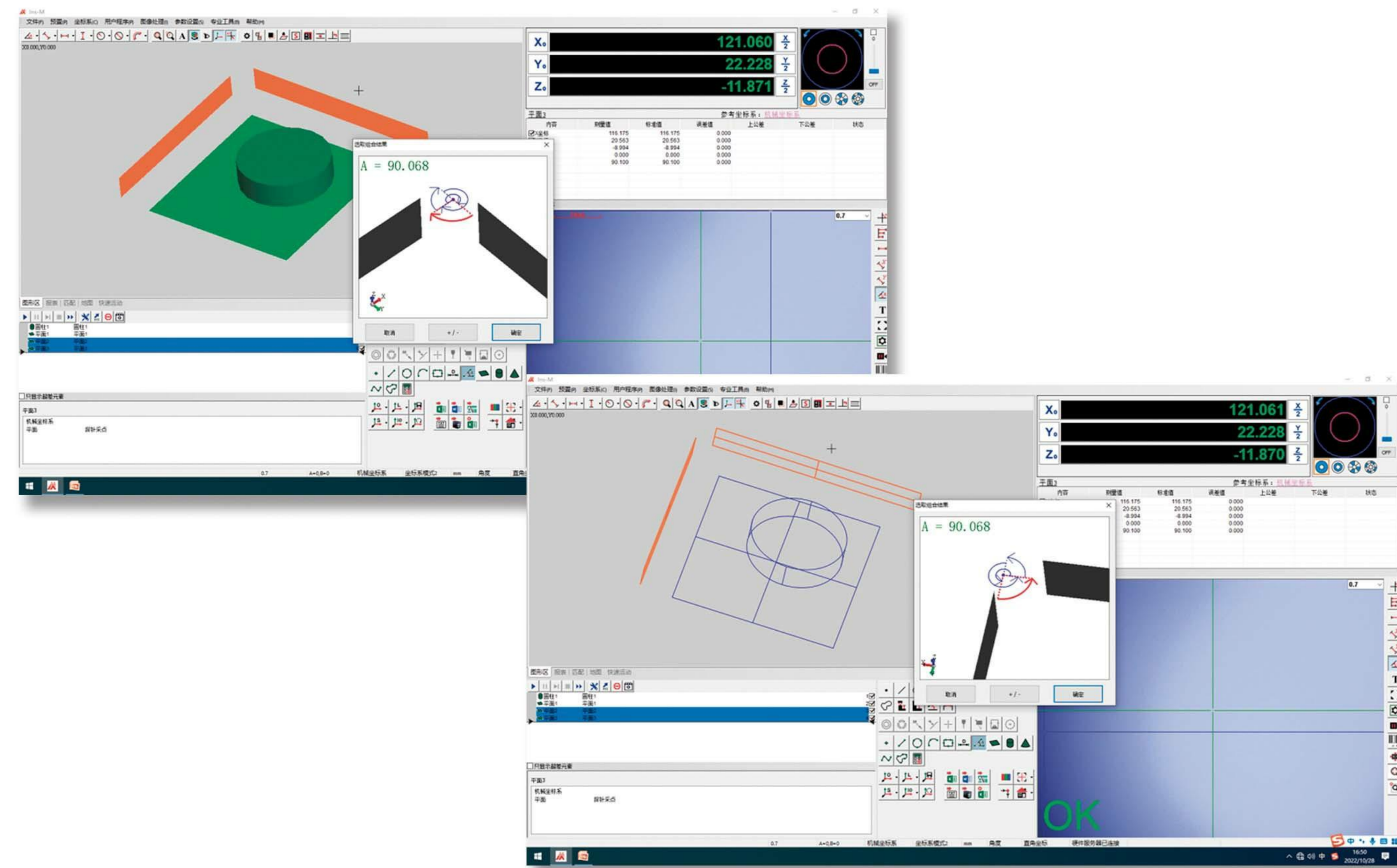




# Optional

## Touch Probe

Optional probe can have 3D measuring function, intuitive 3D graphic display, let users improve the efficiency of probe measurement.



## More Accessories Optional

Z Axis	250mm 300mm 350mm 400mm(Other options)
Lens	Motorized zoom lens 0.7-4.5X + coaxial light source
	Motorized zoom lens 0.7-4.5X + coaxial light source + polarized light
	Motorized zoom lens 0.58-7.5X without coaxial light source
	Motorized zoom lens 0.58-7.5X + coaxial light source
	Motorized zoom lens 0.58-7.5X + coaxial light source + polarized light
	Manual zoom lens 0.58-7.5X
	Manual zoom lens 0.58-7.5X + coaxial light source
Manual zoom lens 0.58-7.5X + coaxial light source + polarized light	
Touch Probe	Renishaw or Other options
Ring light	White LED 4-ring 8-area programmable ring light source
Rotating stage	Standard

## Application area

Machinery: sheet metal, mould & die, gear, turning parts like bearings, shaft.

Electronics: phone& tablet sheet, PCB, watch parts, etc.

Plastics: mobile phone camera plate, cover, front bezel, slide plate, etc.



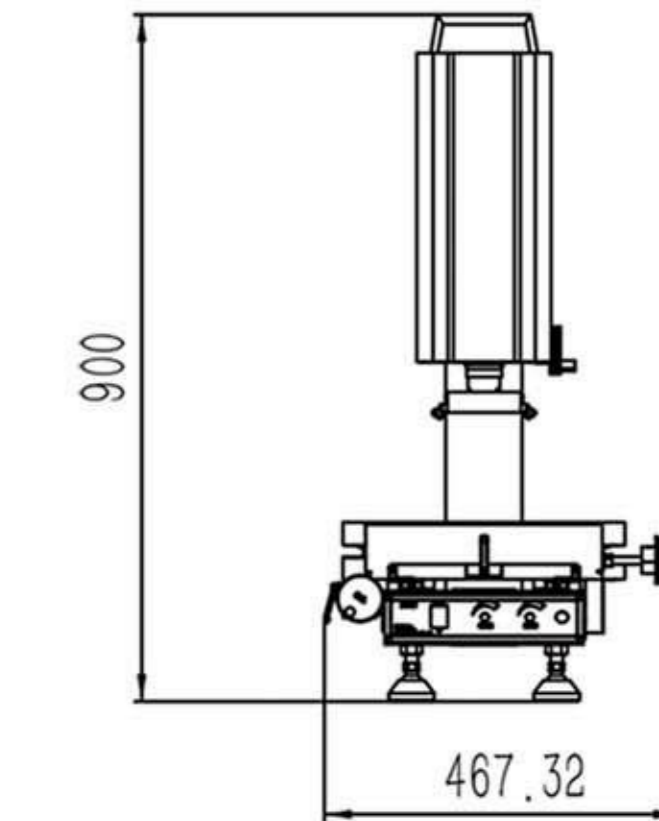
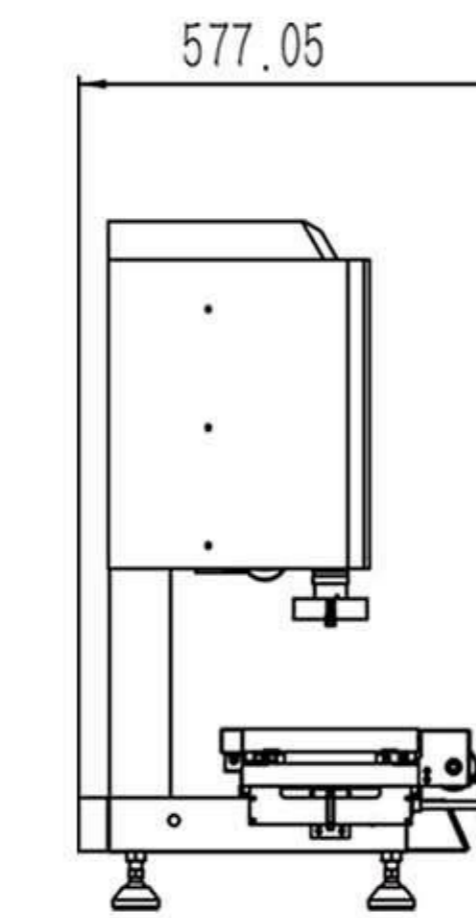
# Specification

## Dimension

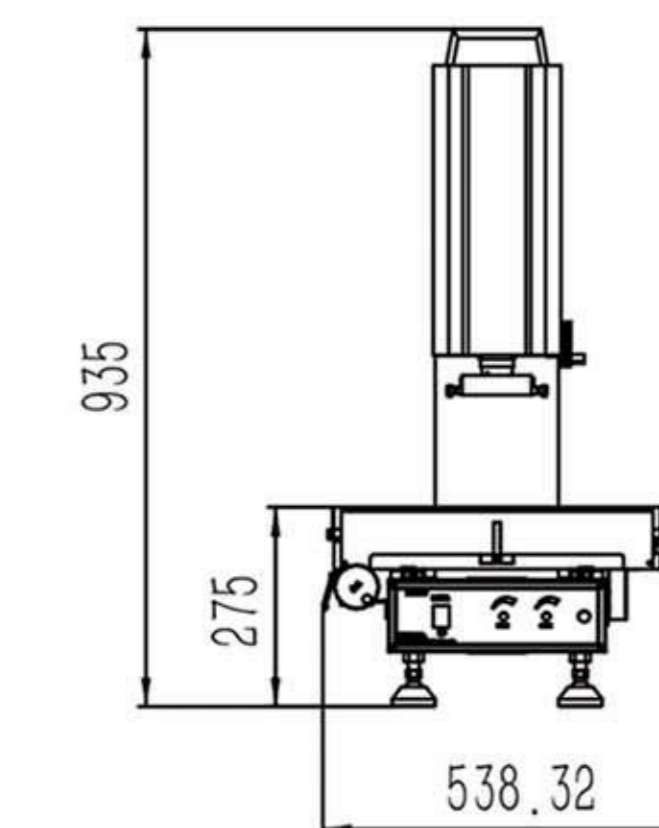
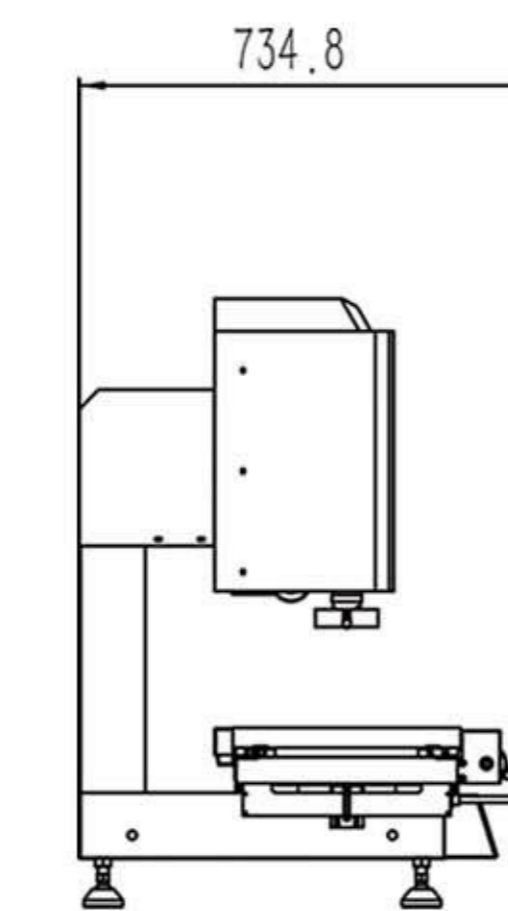


MODEL	E200	E300	E400	E500
X-Y-Z Stroke (mm)	200×100×200	300×200×200	400×300×200	500×400×200
Granite Size (mm)	370×230	450×350	550×460	700×500
Stage Glass Size (mm)	228×128	328×228	428×328	528×428
Max Loading Weight	20KG			
Observation and Image	1/2 "GIGE Color Camera,1.3MP			
	Working distance:90mm			
	Zoom Lens:0.7X- 4.5X			
	Monitor magnification :40X-250X			
	Precision image 2.5D measurement software			
X/Y Accuracy	$(3+L/200)\mu\text{m}$ (L= is the measured length,unit mm)			
Z Accuracy	$(5+L/200)\mu\text{m}$ (L= is the measured length,unit mm)			
Lens position identifier	Double laser pointer			
Illumination Unit	White LED ring light source + green LED transmission parallel light source			
Power Source	220V (AC) 50HZ			
Dimensions (mm)	467×577×900	538×735×935	638×890×975	748×1040×975
Net Weight	95KG	135KG	217KG	297KG

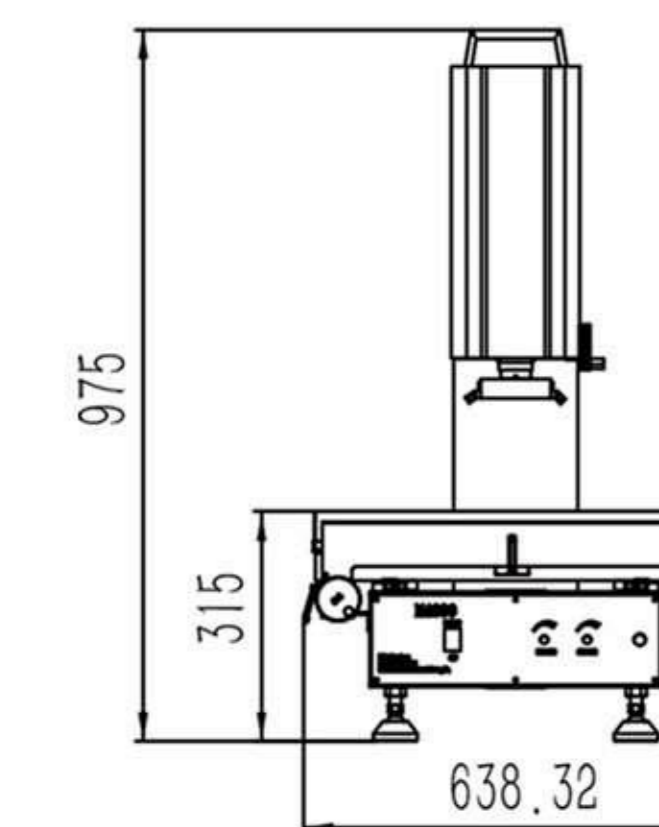
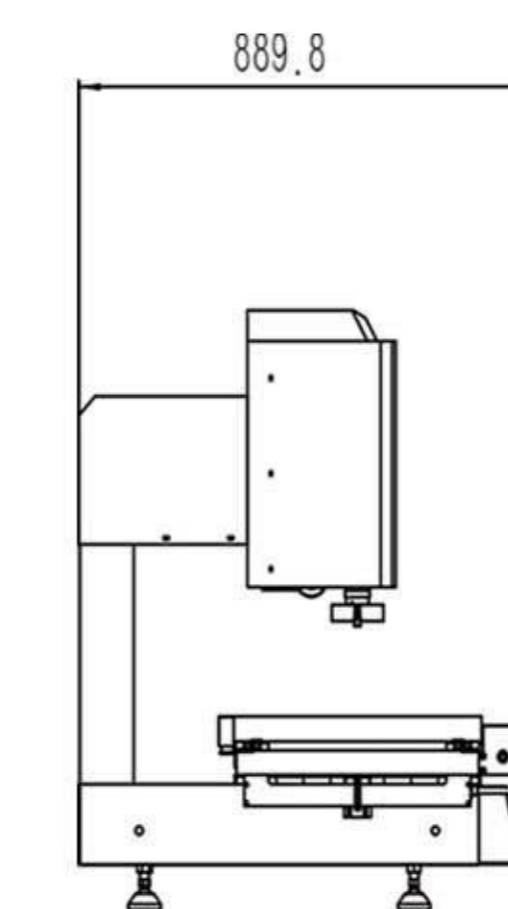
### • E200H



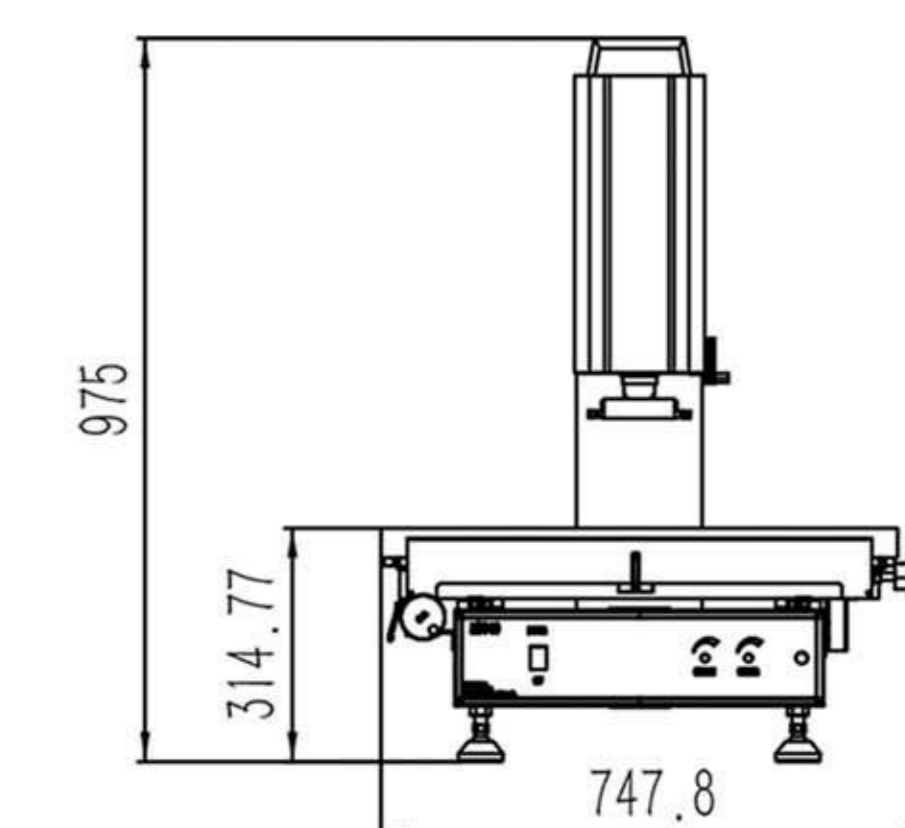
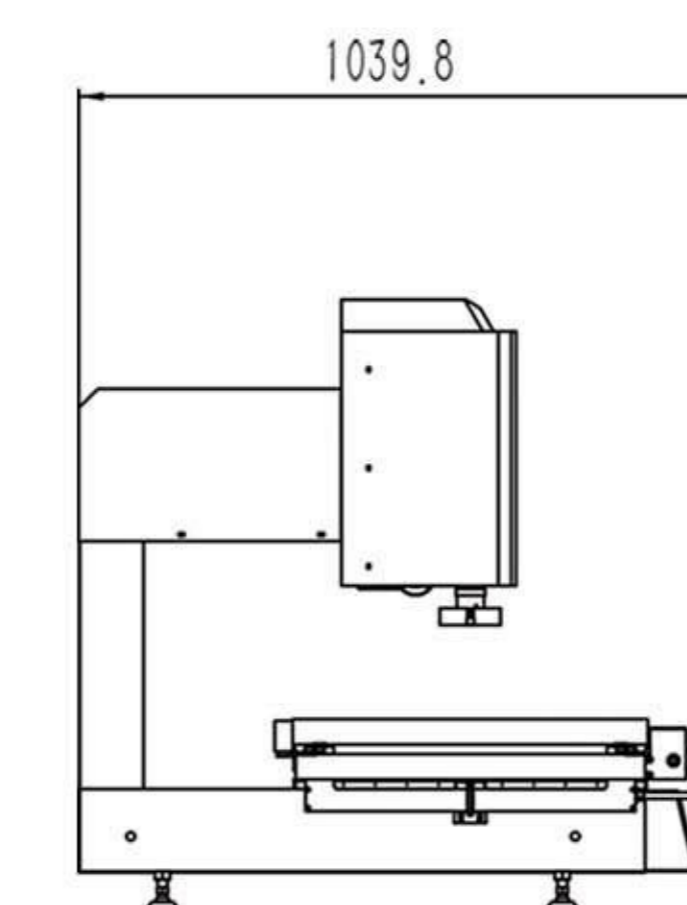
### • E300H



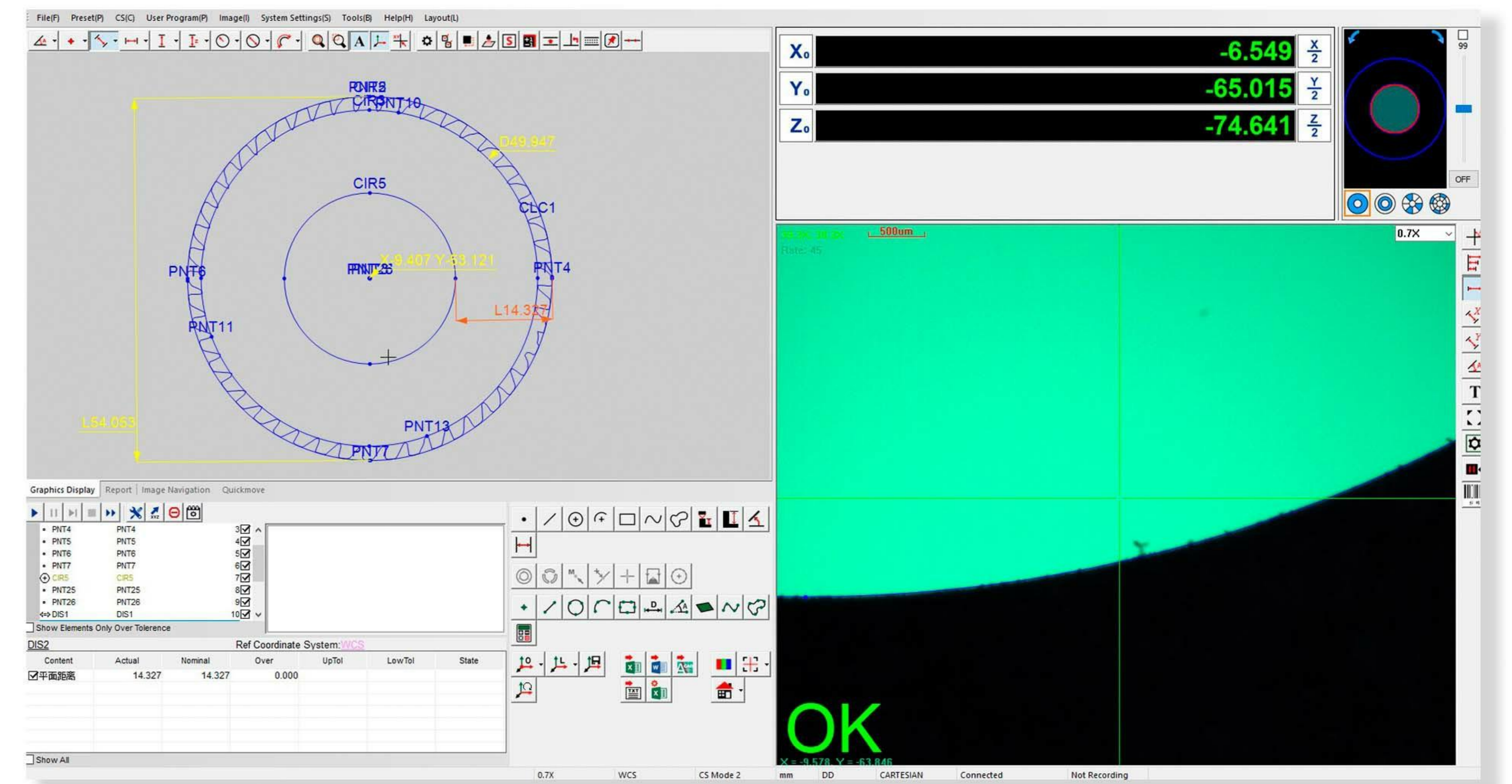
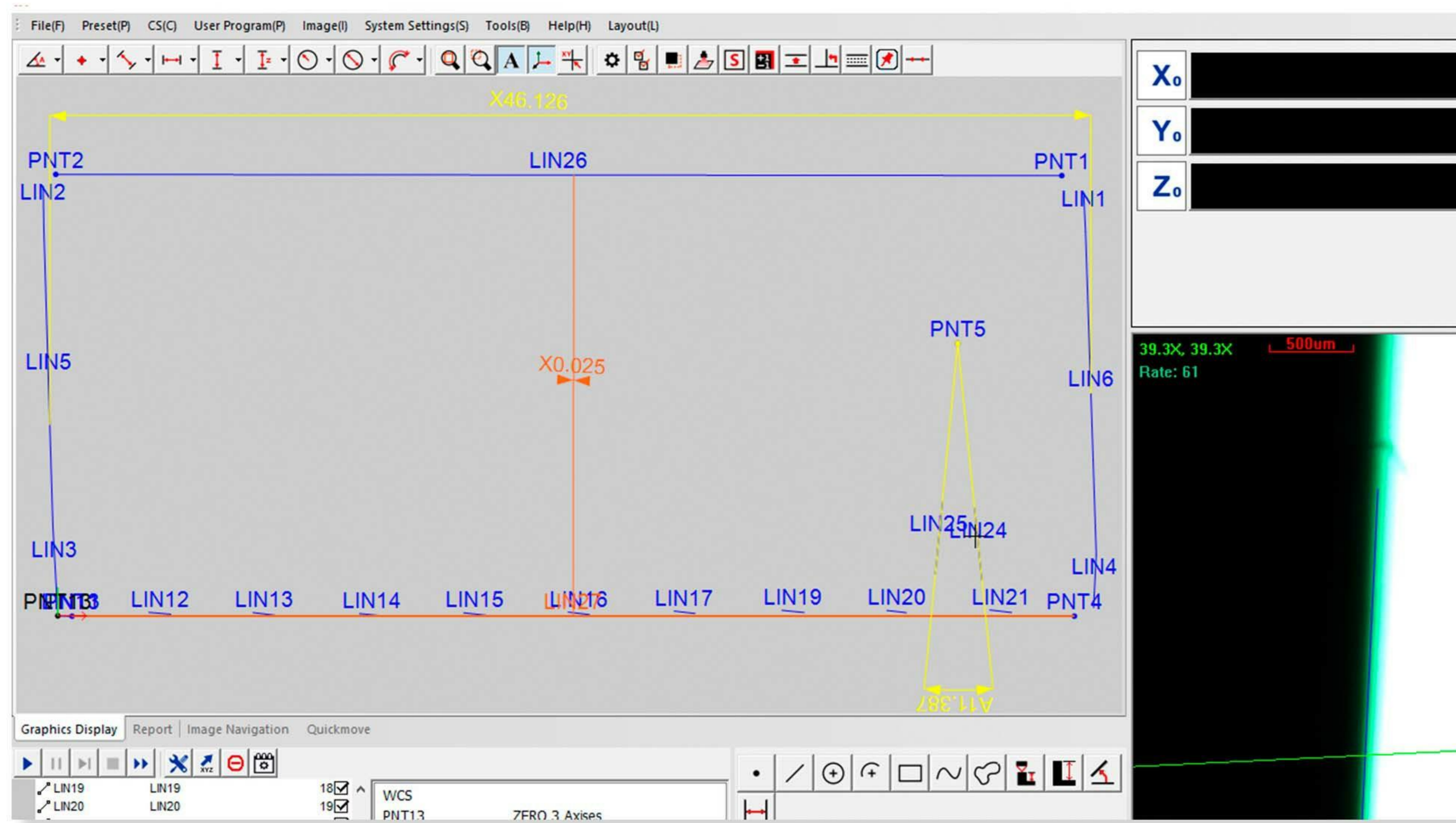
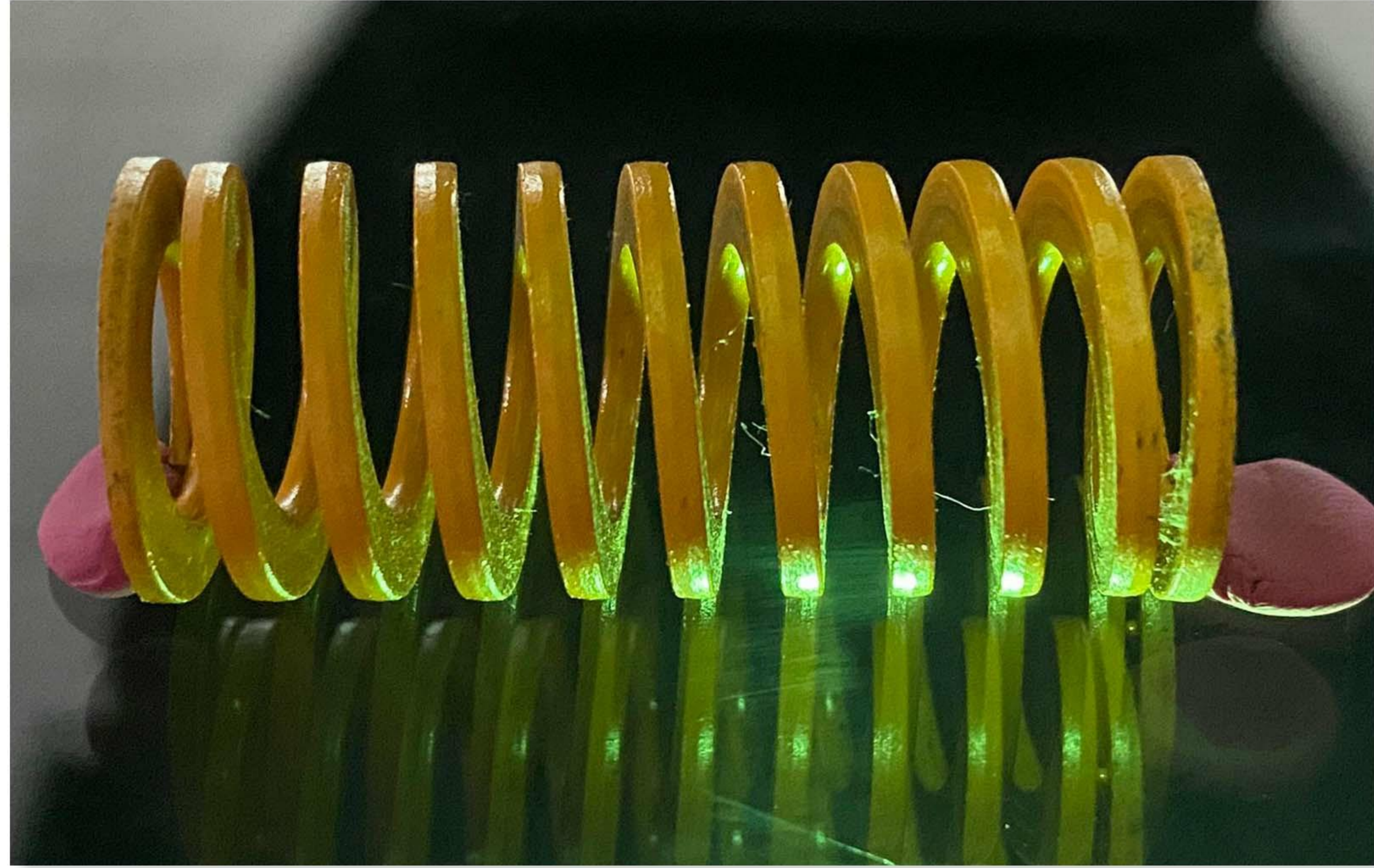
### • E400H



### • E500H



# Case





The product sales range covers over 25 countries, including Pakistan, Vietnam, France, Belgium, Russia, Thailand, India, UK, Australia, Republic of Belarus, Turkey and other countries and regions, with wide business scope.

Headquarters factory in Dongguan, China, which is known as the world factory, ensures the product supply chain and product quality.

- Headquarters Factory (Dongguan, China)
- Distributors (Vietnam, Thailand, Malaysia...)
- Scope of business (France, Belgium, Saudi Arabia...)



WWW.JINUOSH.COM

# JINUOSH

GUANGDONG JINUOSH TECHNOLOGY CO., LTD  
Web: [www.jinuosh.com](http://www.jinuosh.com) Email: [sales1@jinuosh.com](mailto:sales1@jinuosh.com)  
ADD: Dongguan City, Guangdong Province, China